

# LOCINOX

Let's make it better together

## LPKQU2

EN 179:2008



ENG

Discover this manual in English on [page 2](#)

NL

Ontdek deze handleiding in het Nederlands op [pagina 8](#)

FRA

Découvrez ce manuel en Français sur la [page 11](#)

DEU

Entdecken Sie dieses Handbuch auf deutsch auf [Seite 14](#)

SPN

Consulte este manual en Español en la [página 17](#)

PL

Odkryj tę instrukcję w Polskie na [stronie 20](#)

RU

Ознакомьтесь с данным руководством на [странице 23](#)

## LOCINOX HQ

LIVE CHAT  
www.locinox.com  
+32 56 77 27 66

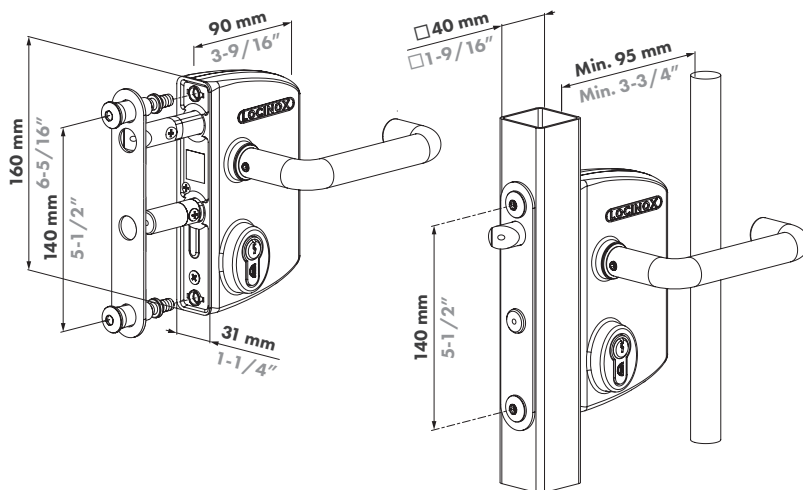
help@locinox.com  
www.locinox.com/lpkqu2

## LOCINOX USA

LIVE CHAT  
www.locinoxusa.com  
877- LOCINOX

helpusa@locinox.com  
www.locinoxusa.com/lpkqu2

### 1 40 mm 1-9/16"



### 2 Emergency exit devices according to EN 179:2008

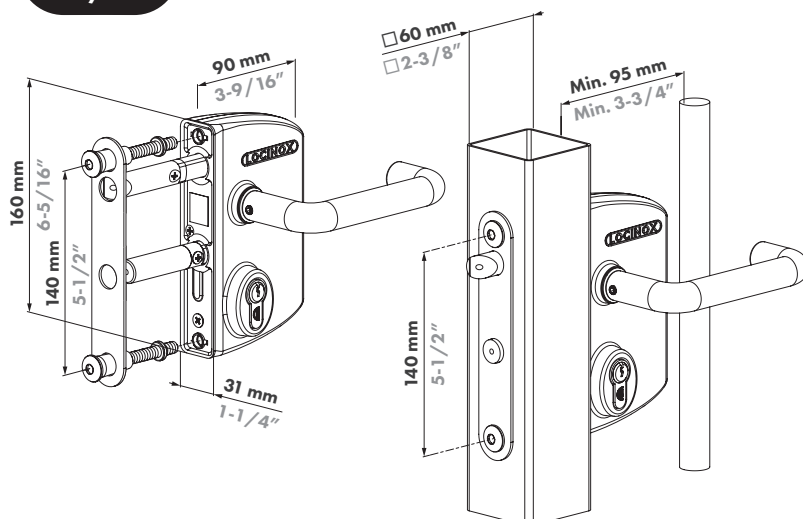
The following configurations are approved to be installed in an emergency exit gate to conform EN 179:2008

GATE PROFILE DIMENSIONS	LOCKS
40 mm	LPKQ4040
60 mm	LPKQ6060

CYLINDER	HANDLE	KEEP
3012-54-STD	3006A-2	SAKLQF

The safety features of this product are essential to its compliance with EN 179:2008. No modification of any kind other than those described in these instruction are permitted.

### 1 40 mm 1-9/16"

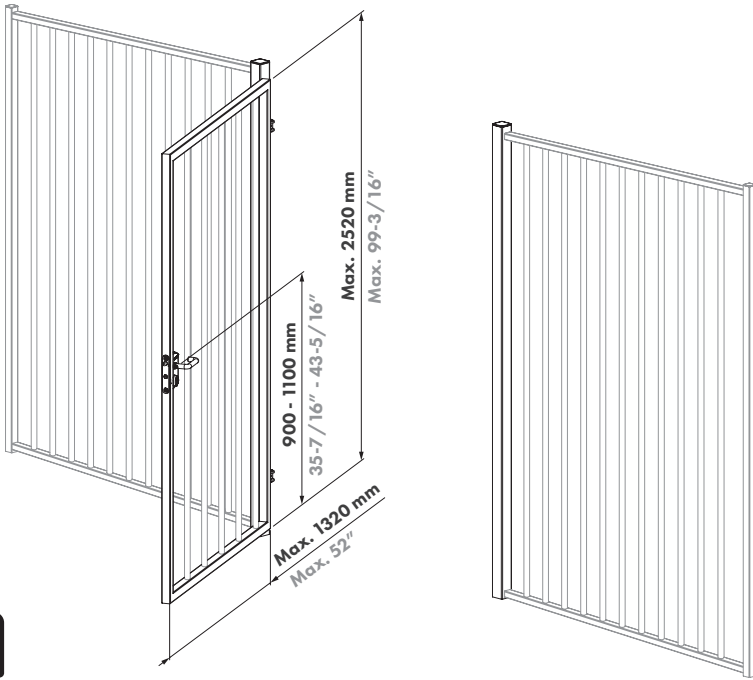


### 3 Classification according to EN 179:2008

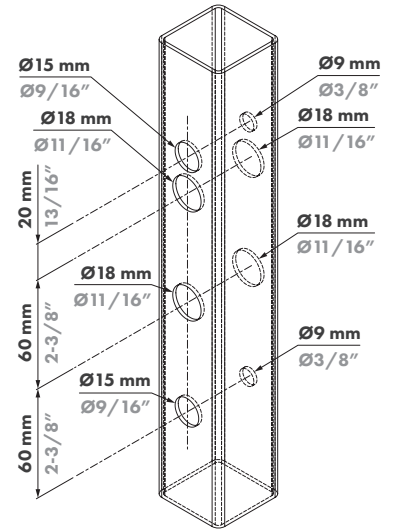
#### 37601422AB

- 3 Category of use** – High frequency of use where there is little incentive to exercise care
- 7 Durability** – Grade 7: 200 000 test cycles
- 6 Door mass** – Grade 6: up to 200 kg
- 0 Suitable for use on smoke door assemblies** – Grade 0: not approved for use on fire/ smoke doors
- 1 Safety** – Grade 1: all emergency exit devices have a critical safety function, therefore only the top grade is identified for the purposes of this European Standard
- 4 Corrosion resistance** – Grade 4: very high resistance (240 h)
- 2 Security** – Grade 2: 1000 N
- 2 Projection of operating element** – Grade 2: up to 100 mm
- A Type of operation** – Type A: emergency exit device with handle operation
- B Intended use** – Type B: outwardly opening single door

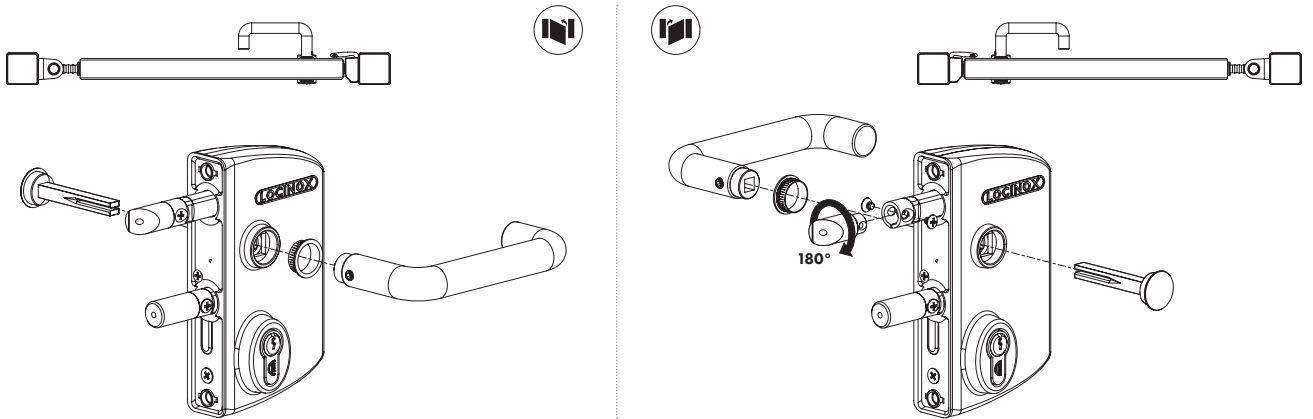
4 Door mass and door dimensions



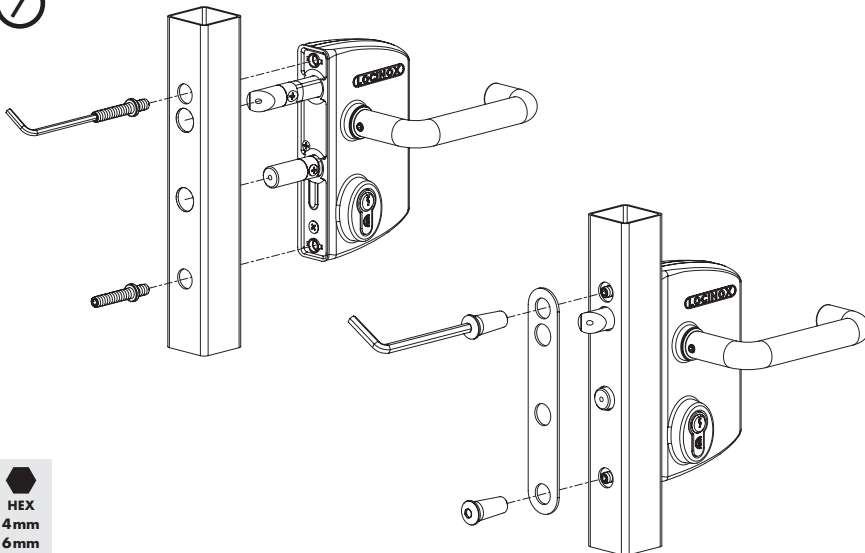
5



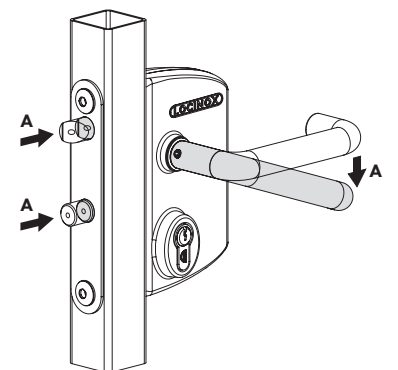
6

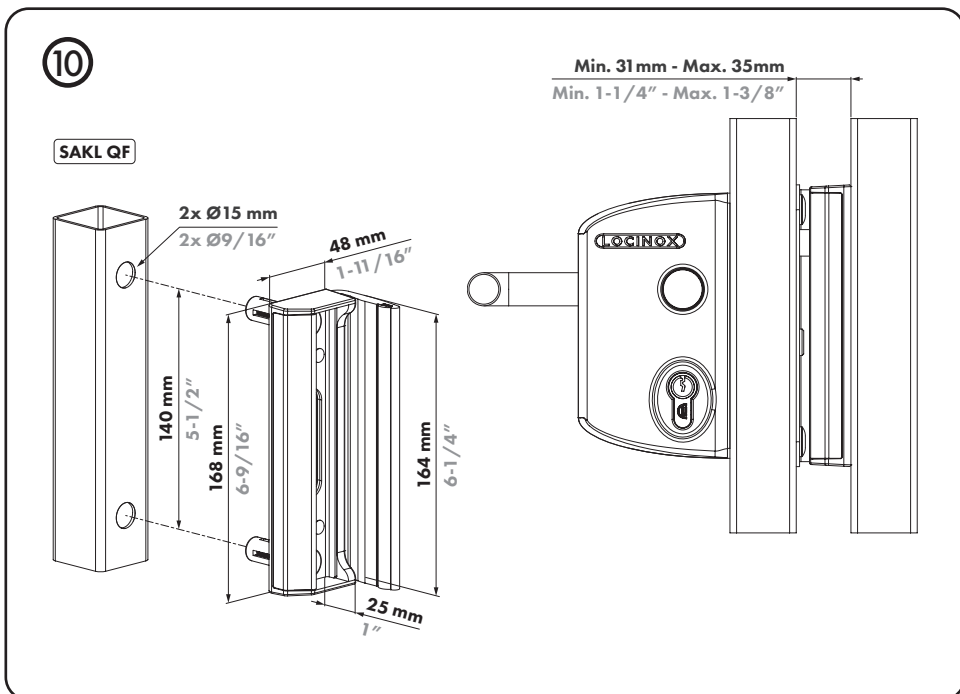
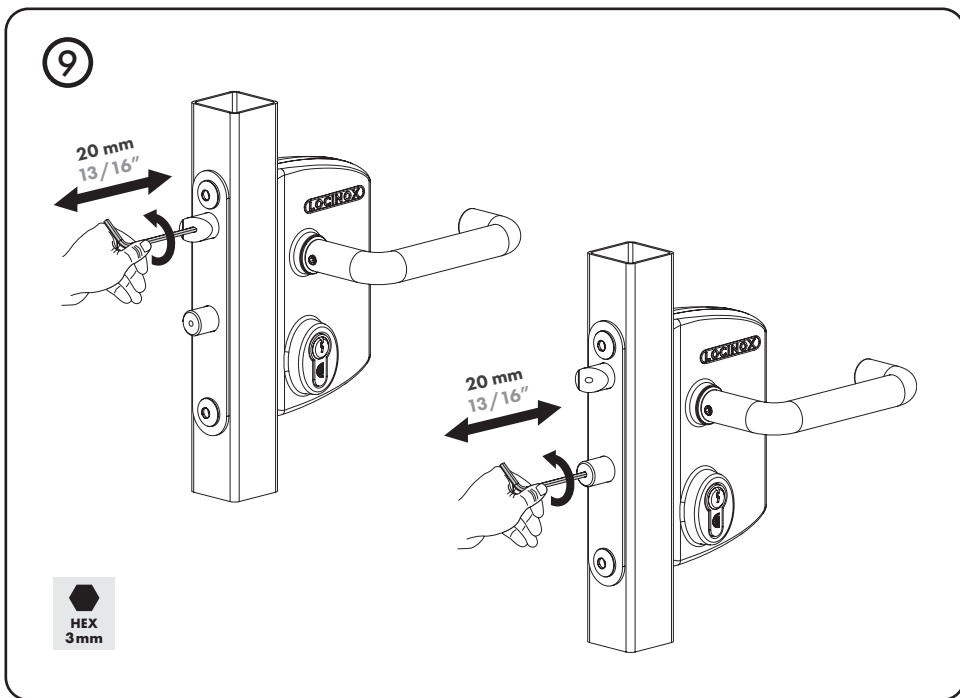


7



8





<p><b>pictures@locinox.com</b></p>	<p><b>SUCCESSFUL INSTALLATION?</b></p>	<p><b>SUCCESSVOLLE INSTALLATIE?</b></p>	<p><b>INSTALLATION RÉUSSITE?</b></p>
	<p>Please send us your pictures &amp; videos</p>	<p>Stuur ons gerust uw foto's &amp; video's door</p>	<p>Veillez nous envoyer vos photos &amp; vidéos</p>
<p><b>ERFOLGREICHE INSTALLATION?</b></p>	<p><b>INSTALACION EXITOSA?</b></p>	<p><b>UDANA INSTALACJA?</b></p>	<p><b>УСПЕШНАЯ УСТАНОВКА?</b></p>
<p>Bitte senden Sie uns Ihre Bilder &amp; Videos</p>	<p>Por favor envíenos sus fotos y videos</p>	<p>Prześlij nam swoje zdjęcia i filmy</p>	<p>Пожалуйста, отправьте нам свой фотографии и видео</p>

**LOCINOX**  
Let's make it better together

Doc. Nr.: **MANU-000228**

Locinox nv • Mannebeekstraat 21 • 8790 Waregem • Belgium  
Locinox LLC • 460 Windy Point Drive • Glendale Heights - IL 60139 • USA

M A N U - 0 0 0 2 2 8

# CERTIFICATE

## 0960-CPR-SKGIKOB.011818.01.ENG

Issued: 11-03-2020  
Valid until: 11-03-2025



### Certificate holder

Locinox NV  
Mannebeekstraat 21  
B-8790 Waregem  
T: +32 (0)56 772 766  
E: locinox@locinox.com  
I: www.locinox.com

## Certificate of constancy of performance

### Declaration of SKG-IKOB (Notified Body 0960)

In compliance with Regulation (EU) No 305/2011 of the European Parliament and of the Council of 9 March 2011 (the Construction Products Regulation or CPR), this certificate applies to the construction product

### EMERGENCY EXIT DEVICES OPERATED BY A LEVER HANDLE OR PUSH PAD FOR USE ON ESCAPE ROUTES

as specified in the attached appendix placed on the market under the name or trade mark of the holder of this certificate and produced by the holder of this certificate or for the holder of this certificate in the manufacturing plant(s) if mentioned above.

This certificate attests that all provisions concerning the assessment and verification of constancy of performance described in Annex ZA of the standard(s)

### EN 179:2008

under system 1 for the performance set out in this certificate are applied and that the performance of the construction product is assessed to remain constant.

This certificate was first issued on 11-03-2020 and will remain valid until the date as mentioned at this certificate as long as neither the harmonised standard, the construction product, the AVCP methods nor the manufacturing conditions in the plant are modified significantly, unless suspended or withdrawn by the notified product certification body.

For SKG-IKOB

A handwritten signature in blue ink, appearing to be 'H.A.J. van Dartel', written over a horizontal line.

ir. H.A.J. van Dartel  
Certification manager

The users of this certificate are advised to verify at [www.skgikob.nl](http://www.skgikob.nl) if this certificate is still valid and actual.  
This certificate consists of 2 pages.



SKG-IKOB Certificatie  
Poppenbouwing 56  
4191 NZ Geldermalsen

Postbus 202  
4190 CE Geldermalsen

T 088-2440100  
info@skgikob.nl  
www.skgikob.nl

**Appendix 1**  
**CERTIFICATE OF CONSTANCY OF PERFORMANCE**

Article	Specification	Classification according to EN 179										
Lock: LPKQ  Handles: 3006A-2  Cylinder: 3012-54-STD  Keeper: SAKLQF	Aluminium Dimensions: 160x90x54 mm  Aluminium – anodised Dimensions: Ø19.5 x 65 x 140 mm (D-model) Secure side: handle Non secured side: blind  Brass Dimensions: 17 mm profile cylinder 27/27 mm  Assembled chassis : Stainless Steel SS304 keeper plate i.c.w aluminium counter plate Dimensions: Keeper plate: 165 x 47 x 25 mm Counter plate: 164 x 54/54 x 7,0 mm	<table border="1" style="margin-left: auto; margin-right: auto;"> <tr> <td style="text-align: center;">3</td> <td style="text-align: center;">7</td> <td style="text-align: center;">6</td> <td style="text-align: center;">0</td> <td style="text-align: center;">1</td> <td style="text-align: center;">4</td> <td style="text-align: center;">2</td> <td style="text-align: center;">2</td> <td style="text-align: center;">A</td> <td style="text-align: center;">B</td> </tr> </table>	3	7	6	0	1	4	2	2	A	B
3	7	6	0	1	4	2	2	A	B			

**DECLARATION OF PERFORMANCE**

DOP Nr: DOP001 EN179 LP-A2-SA

1. ID Code of the Product Type	LPKQ - Panic Lock
2. ID of the Product	LPKQ40*A2 + SA keep LPKQ60*A2 + SA keep
3. Intended Use	Panic lock on single exit door
4. Manufacturer	LOCINOX Mannebeekstraat 21 B-8790 Waregem
5. System of assesment and verification of constancy of performance	System 1
6. Notified Body	SKG-IKOB (0960) Poppenbouwing 56 4191 NZ Geldermalsen
7. Harmonised technical specifications	EN179:2008
8. Declared Performances	
Classification according to EN179:2008	3 7 6 0 1 4 2 2 A B

Performance characteristics	Performance	Harmonised technical specifications
<b>Ability to release</b> (for locked doors on escape routes)		
Release function	< 1 s	4.1.2 of EN179:2008
Release operation	following the direction of the door opening	4.1.3 of EN179:2008
Lever handle design	movement of lever handle in a downward rotational direction	4.1.4 of EN179:2008
Exposed edges and corners	> 0,5 mm	4.1.8 of EN179:2008
Lever handle installation	X>=120 mm; Z <=150mm	4.1.12 of EN179:2008
Operating element projection	Grade 2 - W<100mm	4.1.13 of EN179:2008
Lever handle free end	U>=40 mm, α <=30°	4.1.15 of EN179:2008
Lever handle operating gap	test block can be passed freely between lever handle and surface of the door	4.1.16 of EN179:2008
Test rod	Test rod dia 10 mm does not fit in gaps	4.1.18 of EN179:2008
Accessible gap	Test block placed in any accessible gap in any orientation does not prevent correct operation of the emergency exit device	4.1.20 of EN179:2008
Door free movement	Once the door has been released to open, the bolt head does not restrict the free movement of the door	4.1.21 of EN179:2008
Keepers	The keeper protects the door frame from damage which may be caused by the door closing and opening	4.1.24 of EN179:2008
Door mass and door dimensions	Mass<= 200kg, height <= 2520 mm, width <=1320 mm	4.1.27 of EN179:2008
Release force	<=70N	4.2.2 of EN179:2008
Security requirement	Grade 2; the device remains in the locked position when a force of 1000 N is applied to the door	4.2.7 of EN179:2008
<b>Durability of ability to release</b> (for locked doors on escape routes)		
Corrosion resistance	Grade 4; very high resistance (240 h)	4.2.9 of EN179:2008
Temperature range	Operating forces compliant between -10°C and +60°C	4.1.9 of EN179:2008
Lubrication	not needed	4.1.26 of EN179:2008
Re-engagement force	<=50N	4.2.3 of EN179:2008
Durability	Grade 7; 200.000 test cycles	4.2.4 of EN179:2008
Abuse resistance - operating element	N/A	4.2.6 of EN179:2008
Final examination	At the end of the program the emergency exit device is still operable and meets the requirements of 4.2.2 and 4.1.21	4.2.8 of EN179:2008
<b>Selfclosing ability C</b> (for fire/smoke doors on escape routes)		
	N/A	4.2.3 of EN179:2008
<b>Durability of selfclosing ability C against aging and degradation</b> (for fire/smoke doors on escape routes)		
	N/A	4.2.3 and 4.2.4 of EN179:2008
<b>Resistance to fire E (integrity) and I (insulation)</b>		
	N/A	4.1.10 and annex B of EN179:2008
<b>Control of dangerous substances</b>		
	The materials in this product do not contain or release any dangerous substances in excess of the max. levels specified in existing European material standards or any national regulations	4.1.29 of EN179:2008

9. The performance of the product identified in points 1 and 2 is in conformity with the declared performance in point 8  
The declaration of performance is issued under the sole responsibility of LOCINOX

Waregem, 18/03/2020

Mik Emmerechts, CEO

## LOCINOX HQ



LIVE CHAT

[www.locinox.com](http://www.locinox.com)



+32 56 77 27 66



[help@locinox.com](mailto:help@locinox.com)



[www.locinox.com/lpkqu2](http://www.locinox.com/lpkqu2)

## LOCINOX USA



LIVE CHAT

[www.locinoxusa.com](http://www.locinoxusa.com)



877-LOCINOX

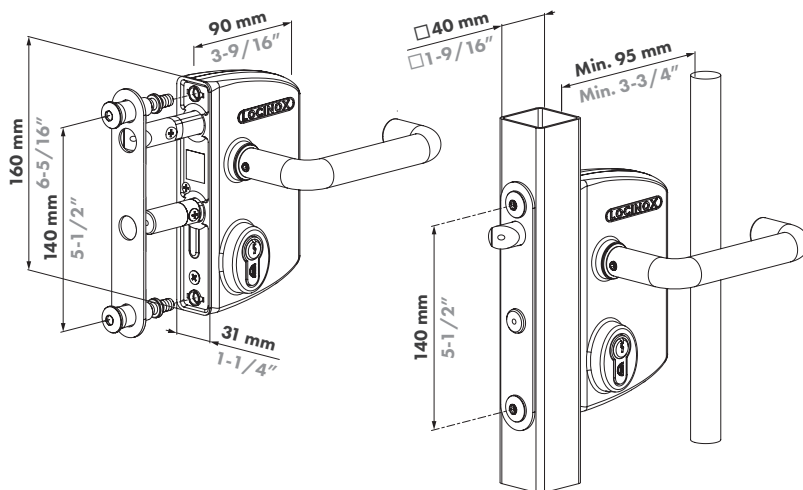


[helpusa@locinox.com](mailto:helpusa@locinox.com)

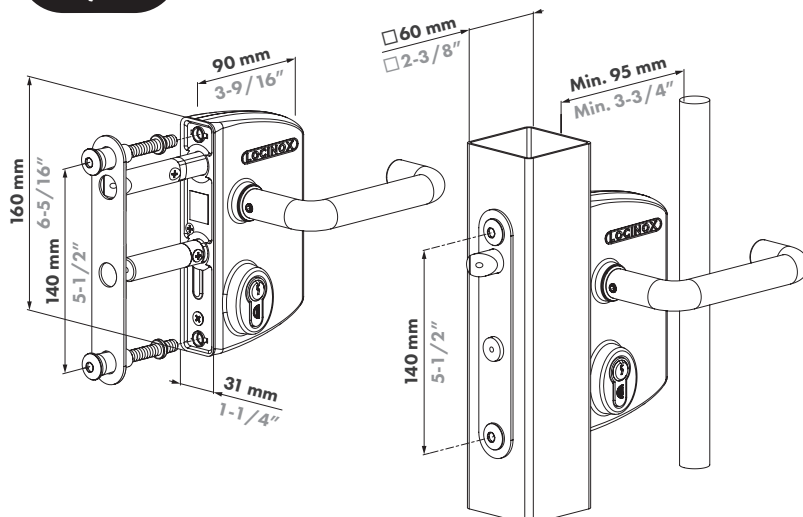


[www.locinoxusa.com/lpkqu2](http://www.locinoxusa.com/lpkqu2)

### 1 40 mm 1-9/16"



### 1 40 mm 1-9/16"



### 2 Hardware voor nooduitgangen volgens EN 179:2008

De volgende configuraties zijn goedgekeurd voor installatie in een poort voor nooduitgangen conform EN 179:2008

AFMETINGEN POORTPROFIELEN	SLOTEN
40 mm	LPKQ4040
60 mm	LPKQ6060

CYLINDER	KRUK	SLOTVANGER
3012-54-STD	3006A-2	SAKLQF

De veiligheidskenmerken van dit product zijn essentieel om te voldoen aan EN 179: 2008. Geen enkele andere wijziging dan die beschreven in deze instructie is toegestaan.

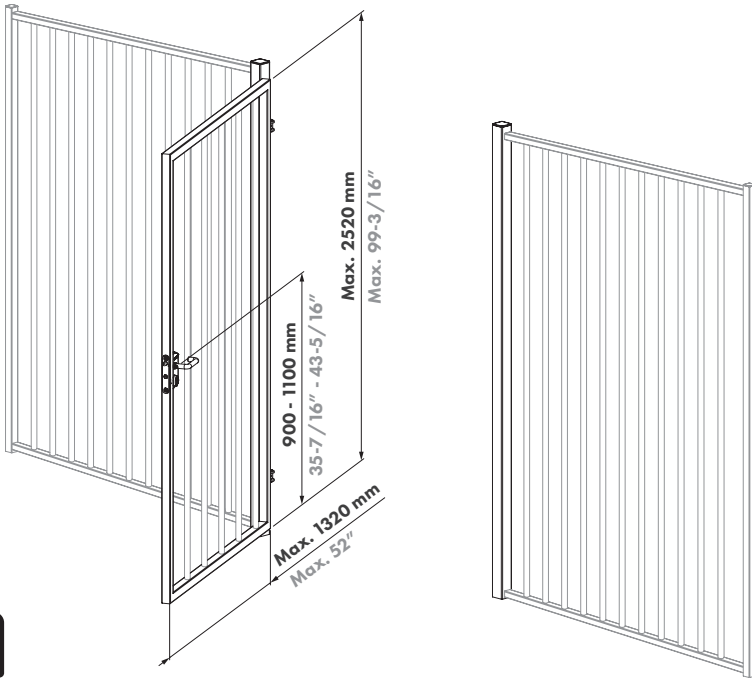
### 3 Classificatie volgens EN179:2008

#### 37601422AB

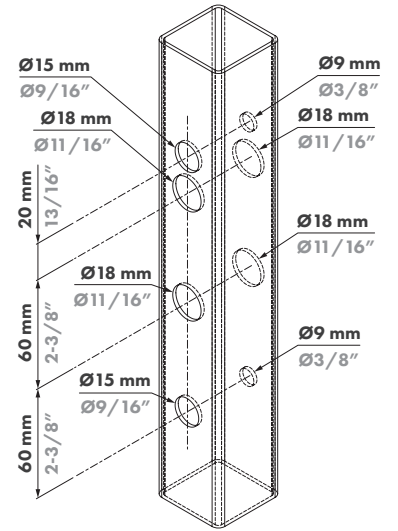
- 4 Gebruikscategorie** - Hoge gebruiksfrequentie waar er weinig onderhoud nodig is
- 8 Duurzaamheid** - Klasse 7: 200.000 testcycli
- 7 Deurmassa** - Klasse 6: tot 200 kg
- 1 Geschikt voor gebruik op branddeuren** - Klasse 0: niet geschikt voor gebruik op brand-/rookdeuren
- 2 Veiligheid** - Klasse 1: alle nooduitgangen hebben een kritieke veiligheidsfunctie, daarom wordt alleen de hoogste klasse geïdentificeerd voor de doeleinden van deze Europese norm
- 5 Corrosieweerstand** - Klasse 4: zeer hoge weerstand (240 uur)
- 3 Beveiliging** - Grade 2: 1000 N
- 3 Projectie van het bedieningselement** - Klasse 2: tot 100 mm
- A Type bediening** - Type A: nooduitgang met handgreepbediening
- B Beoogd gebruik** - Type B: naar buiten openende enkele deur



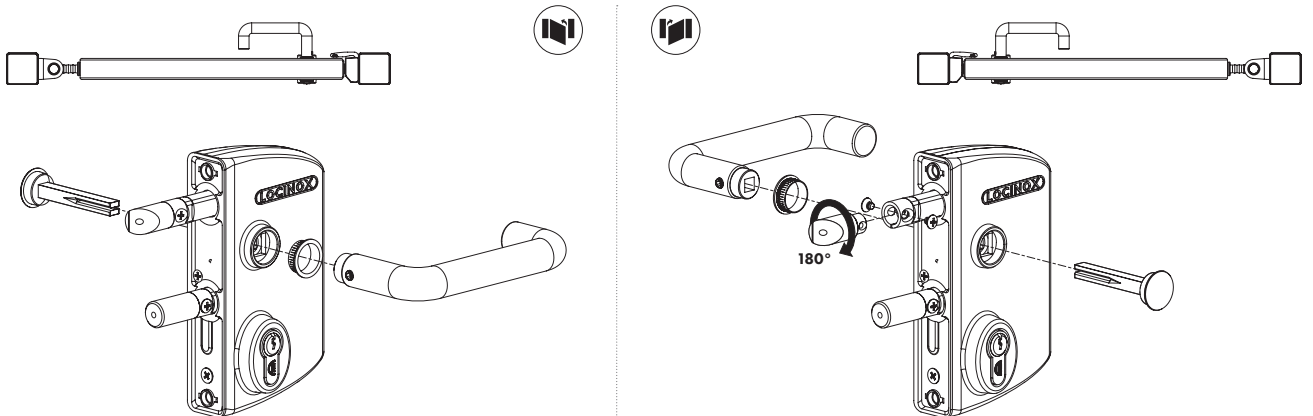
4 Poortgewichten en -afmetingen



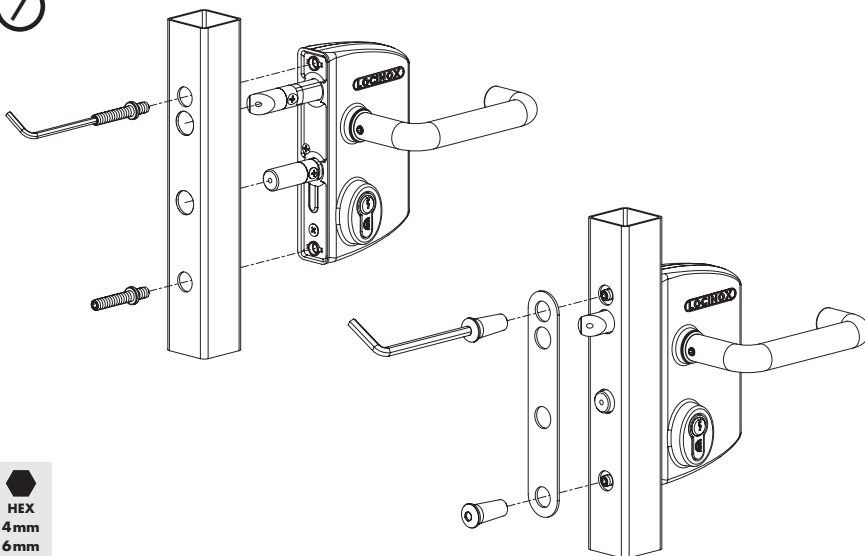
5



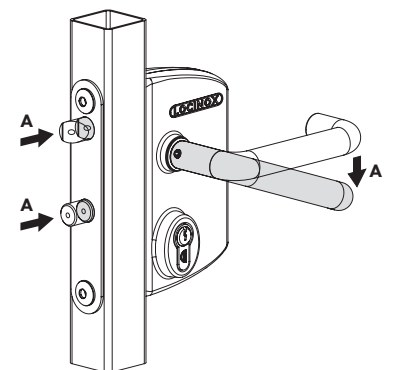
6

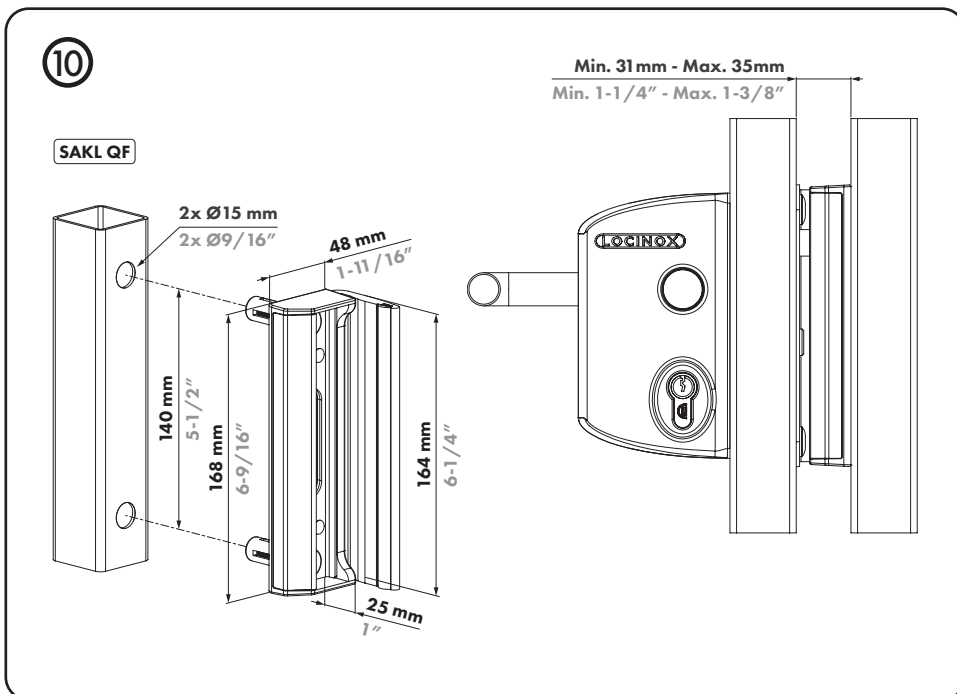
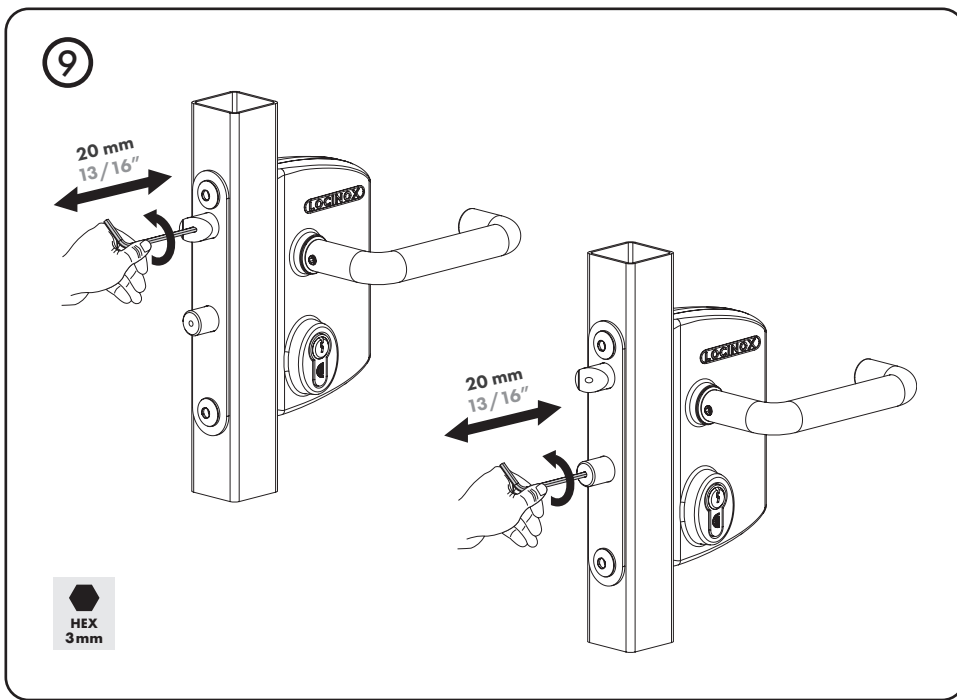


7



8





<p><b>pictures@locinox.com</b></p>	<p><b>SUCCESSFUL INSTALLATION?</b></p>	<p><b>SUCCESSVOLLE INSTALLATIE?</b></p>	<p><b>INSTALLATION RÉUSSITE?</b></p>
<p><b>ERFOLGREICHE INSTALLATION?</b></p>	<p><b>INSTALACION EXITOSA?</b></p>	<p><b>UDANA INSTALACJA?</b></p>	<p><b>УСПЕШНАЯ УСТАНОВКА?</b></p>
<p>Bitte senden Sie uns Ihre Bilder &amp; Videos</p>	<p>Please send us your pictures &amp; videos</p>	<p>Stuur ons gerust uw foto's &amp; video's door</p>	<p>Veillez nous envoyer vos photos &amp; vidéos</p>
<p>Por favor envíenos sus fotos y videos</p>	<p>Prześlij nam swoje zdjęcia i filmy</p>	<p>Пожалуйста, отправьте нам свой фотографии и видео</p>	

**LOCINOX** Let's make it better together

Doc. Nr.: **MANU-000228**

Locinox nv • Mannebeekstraat 21 • 8790 Waregem • Belgium  
Locinox LLC • 460 Windy Point Drive • Glendale Heights - IL 60139 • USA

M A N U - 0 0 0 2 2 8

## LOCINOX HQ

LIVE CHAT  
www.locinox.com  
+32 56 77 27 66

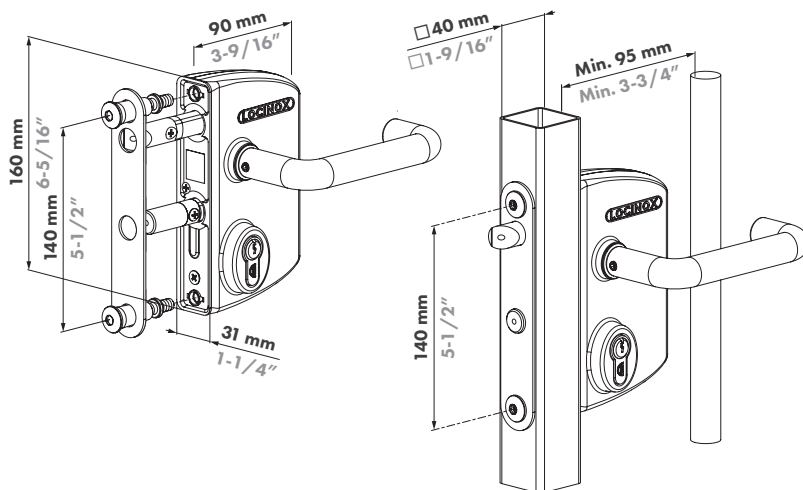
help@locinox.com  
www.locinox.com/lpkqu2

## LOCINOX USA

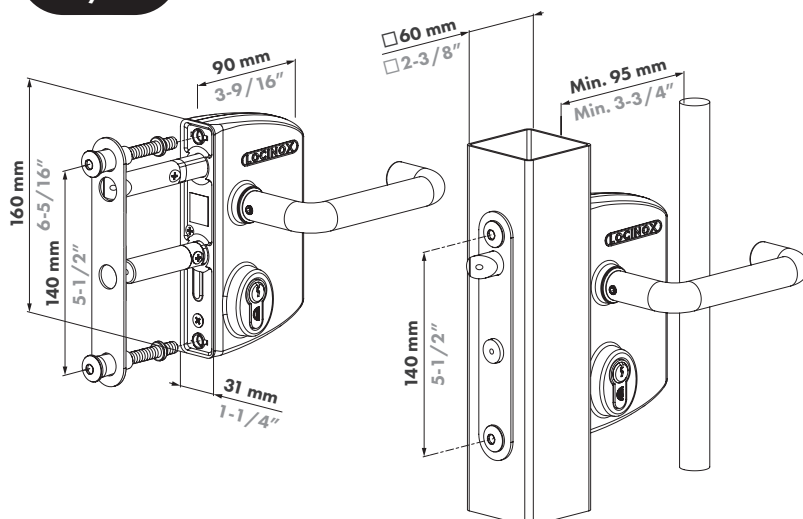
LIVE CHAT  
www.locinoxusa.com  
877-LOCINOX

helpusa@locinox.com  
www.locinoxusa.com/lpkqu2

### 1 40 mm 1-9/16"



### 1 40 mm 1-9/16"



### 2 Dispositifs de sortie de secours selon la norme EN 179:2008

Les configurations suivantes sont approuvées pour être installées sur une porte d'une issue de secours conformément à la norme EN 179:2008

DIMENSIONS DU PROFIL DE LA PORTE	SERRURES
40 mm	LPKQ4040
60 mm	LPKQ6060

CYLINDRE	POIGNÉE	GÂCHE
3012-54-STD	3006A-2	SAKLQF

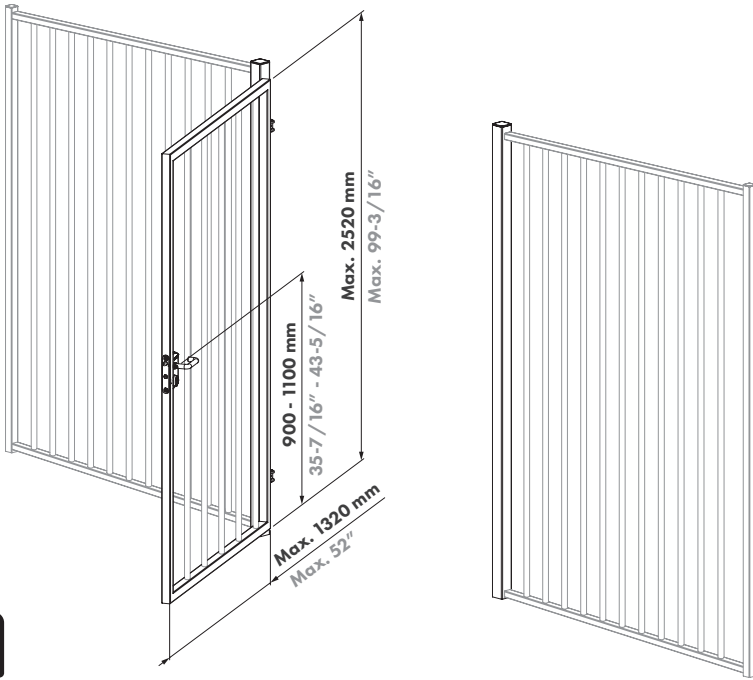
Les caractéristiques de sécurité de ce produit sont essentielles à sa conformité à la norme EN 179:2008. Aucune modification d'aucune sorte autre que celles décrites dans ce manuel ne sont autorisées.

### 3 Classification selon la norme EN 179:2008

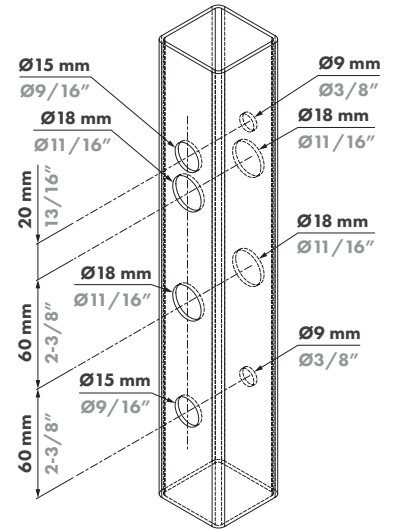
#### 37601422AB

- 3 Catégories d'utilisation** — Fréquence d'utilisation élevée avec peu d'entretien
- 7 Durabilité** — Grade 7: 200 000 cycles d'ouverture
- 6 Masse de la porte** — Grade 6: jusqu'à 200 kg
- 0 Utilisation sur des portes coupe-feu** — Grade 0: Non approuvé pour une utilisation sur des portes coupe-feu
- 1 Sécurité** — Grade 1: tous les dispositifs de sortie de secours ont une fonction de sécurité critique, par conséquent, seule la classe supérieure est identifiée aux fins de la présente norme européenne
- 4 Résistance à la corrosion** — Grade 4: très haute résistance (240 h)
- 2 Sécurité** — Grade 2: 1000 N
- 2 Projection de l'élément de commande** — Grade 2: jusqu'à 100 mm
- A Type d'application** — Type A: dispositif de sortie de secours avec poignée
- B Utilisation conforme** — Type B: porte simple à ouverture vers l'extérieur

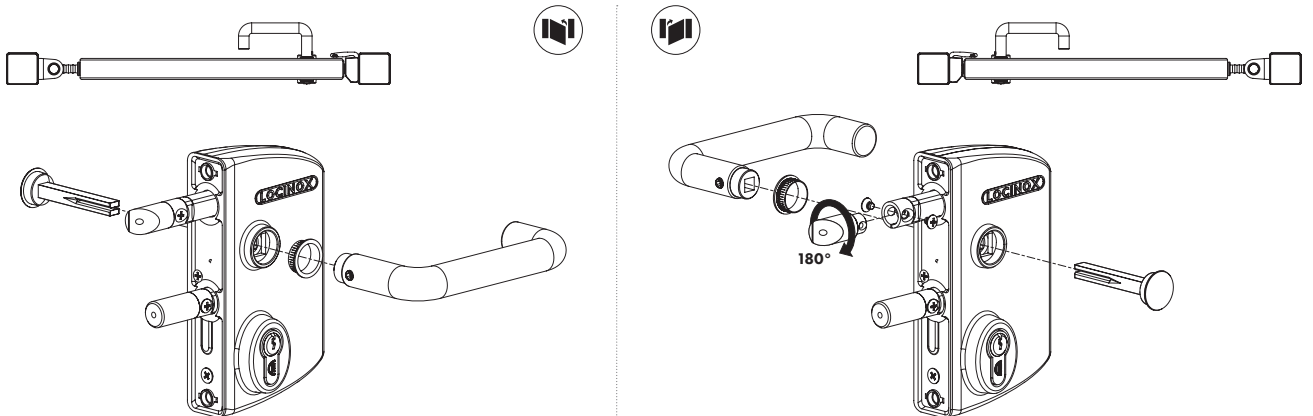
4 Poids et dimensions de la porte



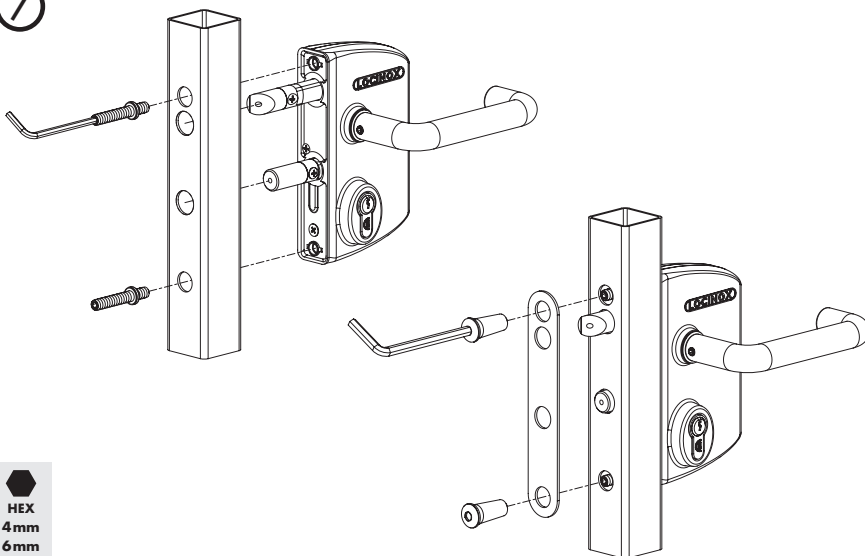
5



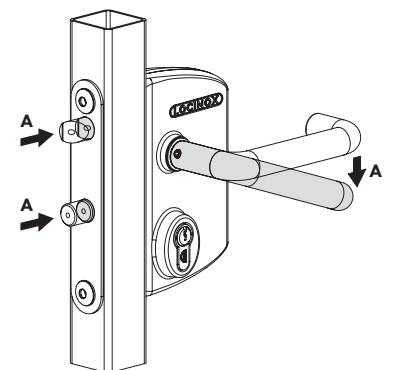
6

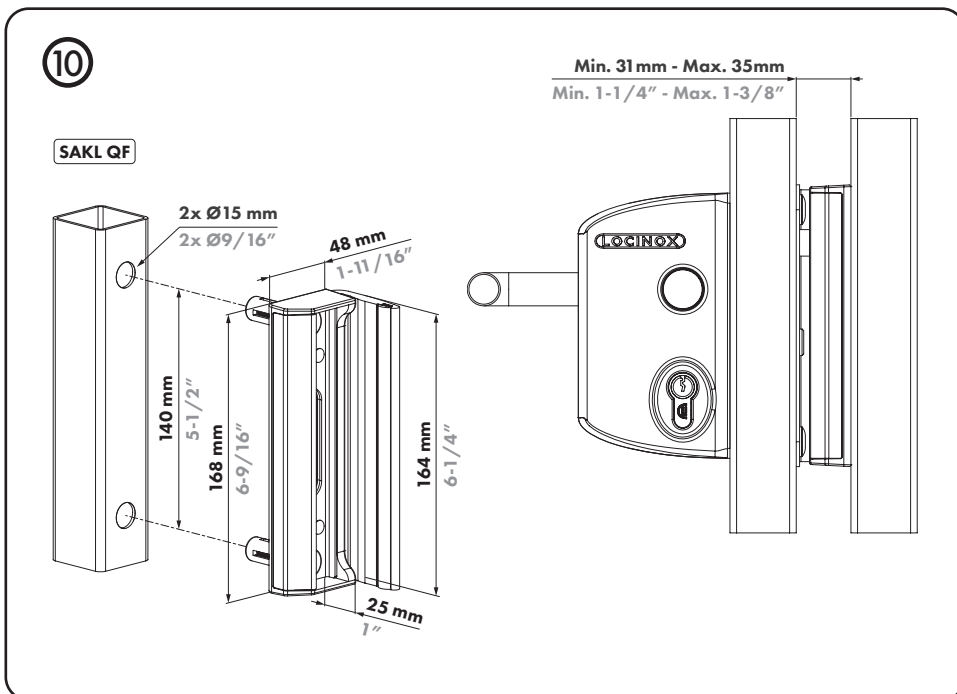
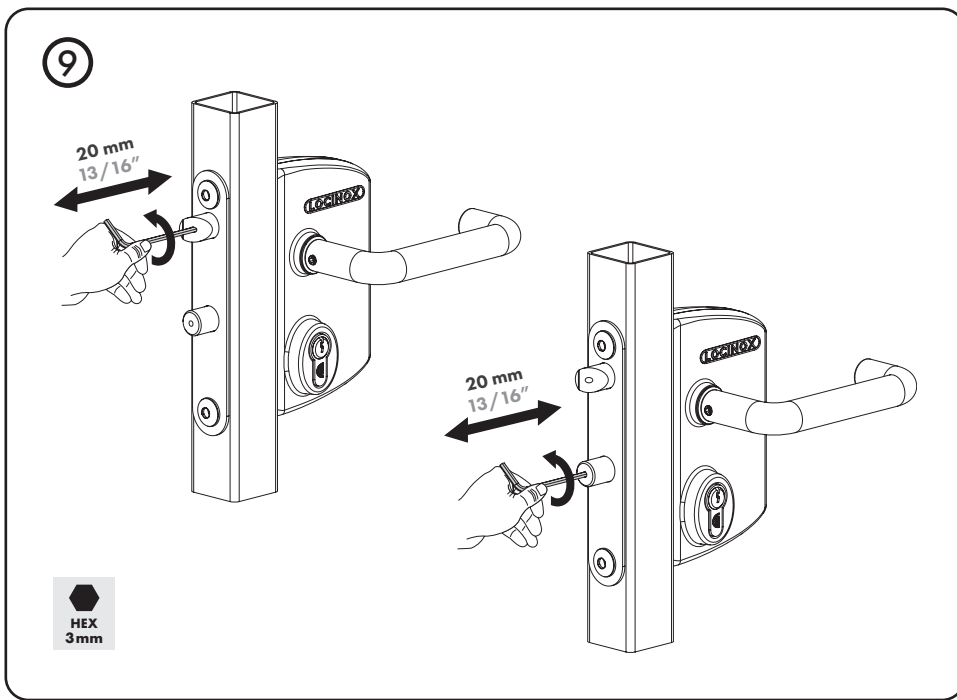


7



8





<p><b>pictures@locinox.com</b></p>	<p><b>SUCCESSFUL INSTALLATION?</b></p>	<p><b>SUCCESSVOLLE INSTALLATIE?</b></p>	<p><b>INSTALLATION RÉUSSITE?</b></p>
<p><b>ERFOLGREICHE INSTALLATION?</b></p>	<p><b>INSTALACION EXITOSA?</b></p>	<p><b>UDANA INSTALACJA?</b></p>	<p><b>УСПЕШНАЯ УСТАНОВКА?</b></p>
<p>Bitte senden Sie uns Ihre Bilder &amp; Videos</p>	<p>Please send us your pictures &amp; videos</p>	<p>Stuur ons gerust uw foto's &amp; video's door</p>	<p>Veillez nous envoyer vos photos &amp; vidéos</p>
<p>Por favor envíenos sus fotos y videos</p>	<p>Prześlij nam swoje zdjęcia i filmy</p>	<p>Пожалуйста, отправьте нам свой фотографии и видео</p>	

**LOCINOX**  
Let's make it better together

Doc. Nr.: **MANU-000228**

Locinox nv • Mannebeekstraat 21 • 8790 Waregem • Belgium  
Locinox LLC • 460 Windy Point Drive • Glendale Heights - IL 60139 • USA

M A N U - 0 0 0 2 2 8

## LOCINOX HQ

LIVE CHAT  
www.locinox.com  
+32 56 77 27 66

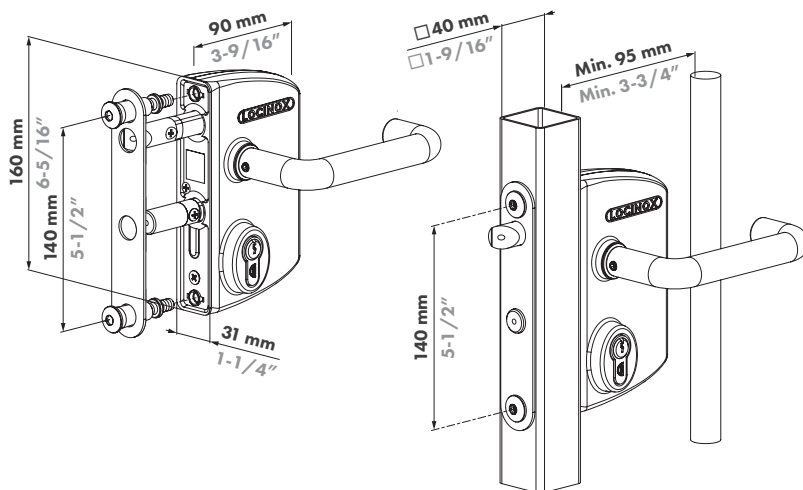
help@locinox.com  
www.locinox.com/lpkqu2

## LOCINOX USA

LIVE CHAT  
www.locinoxusa.com  
877-LOCINOX

helpusa@locinox.com  
www.locinoxusa.com/lpkqu2

### 1 40 mm 1-9/16"



### 2 Notausgangsverschlüsse nach EN 179:2008

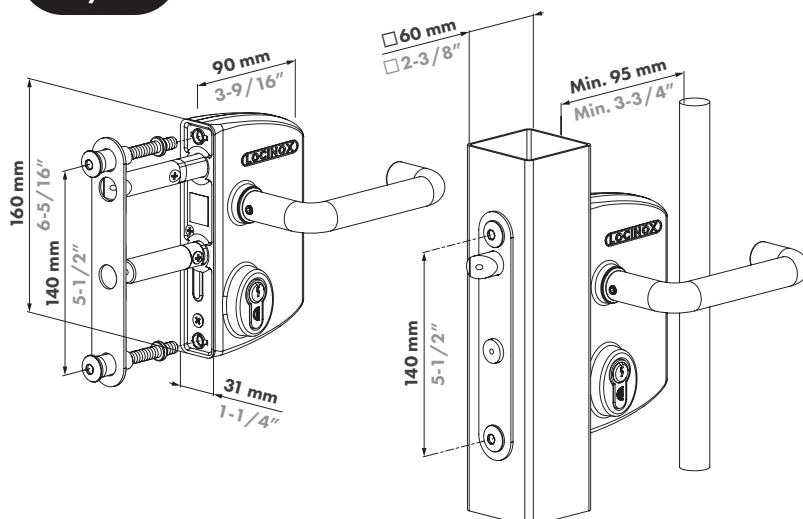
Die folgenden Konfigurationen dürfen gemäß EN 179:2008 in ein Notausgangstor eingebaut werden

TORPROFIL MASSE	SCHLÖSSER
40 mm	LPKQ4040
60 mm	LPKQ6060

ZYLINDER	DRÜCKER	ANSCHLAG
3012-54-STD	3006A-2	SAKLQF

Die Sicherheitsmerkmale dieses Produkts sind für die Einhaltung von EN 179:2008 von wesentlicher Bedeutung. Andere als die in dieser Anleitung beschriebenen Änderungen sind nicht gestattet.

### 1 40 mm 1-9/16"

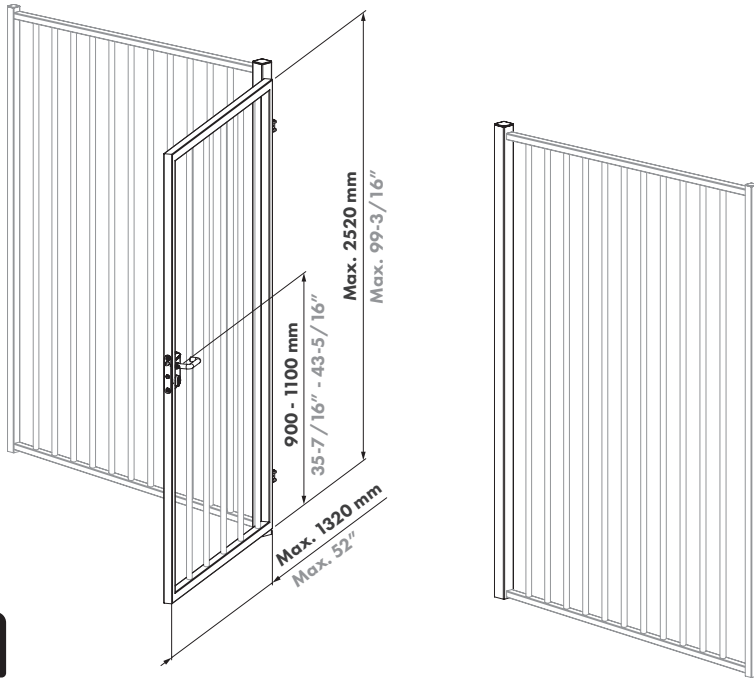


### 3 Einstufung nach EN179:2008

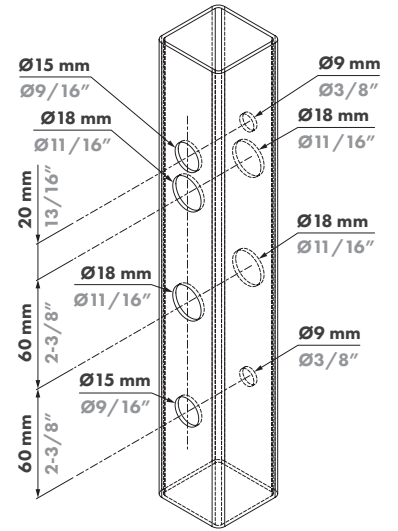
#### 37601422AB

- 3** **Verwendungskategorie** - Hohe Verwendungshäufigkeit bei geringer Wartung
- 7** **Haltbarkeit** - Klasse 7: 200 000 Testzyklen
- 6** **Tordimension** - Klasse 6: bis zu 200 kg
- 0** **Geeignet für die Verwendung an Rauchschutztüren** - Klasse 0: Nicht für die Verwendung an Feuer-/Rauchschutztüren zugelassen
- 1** **Sicherheit** - Klasse 1: Alle Notausgangsvorrichtungen haben eine kritische Sicherheitsfunktion, daher wird für die Zwecke dieser Europäischen Norm nur die höchste Klasse identifiziert
- 4** **Korrosionsbeständigkeit** - Klasse 4: sehr hohe Beständigkeit (240h)
- 2** **Sicherheit** - Klasse 2: 1000 N
- 2** **Vorsprung des Bedienelements** - Klasse 2: bis 100 mm
- A** **Betriebsart** - Typ A: Notausgangsvorrichtung mit Drückerbedienung
- B** **Verwendungszweck** - Typ B: nach außen öffnendes Einzeltor

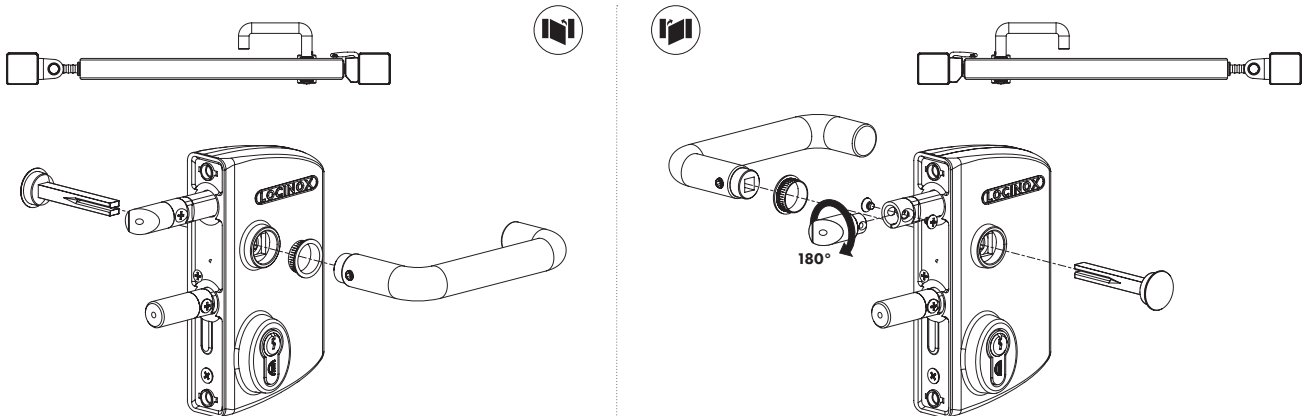
**4** Tormaße und Tordimension



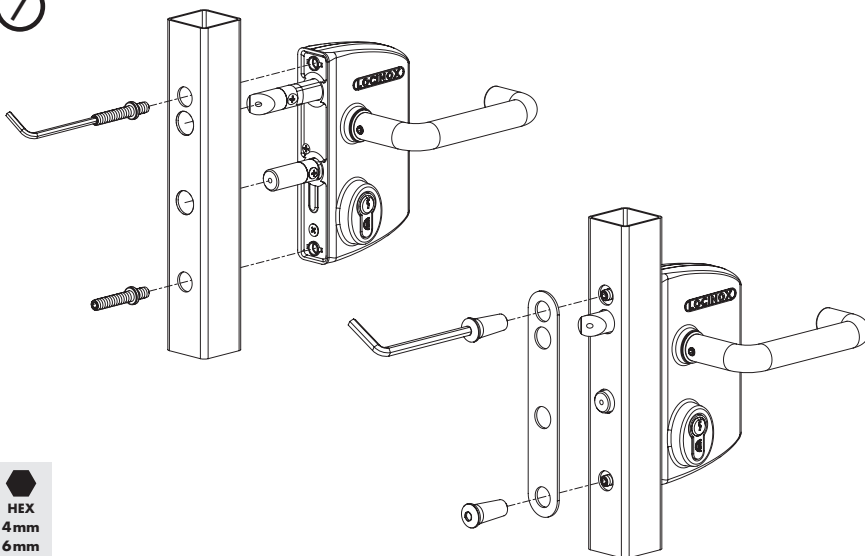
**5**



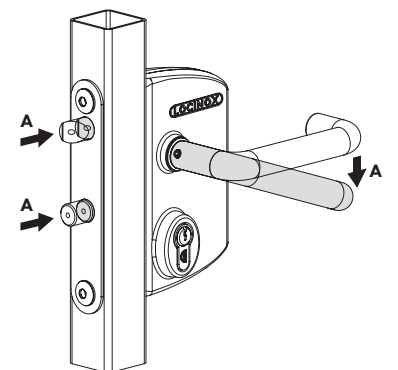
**6**

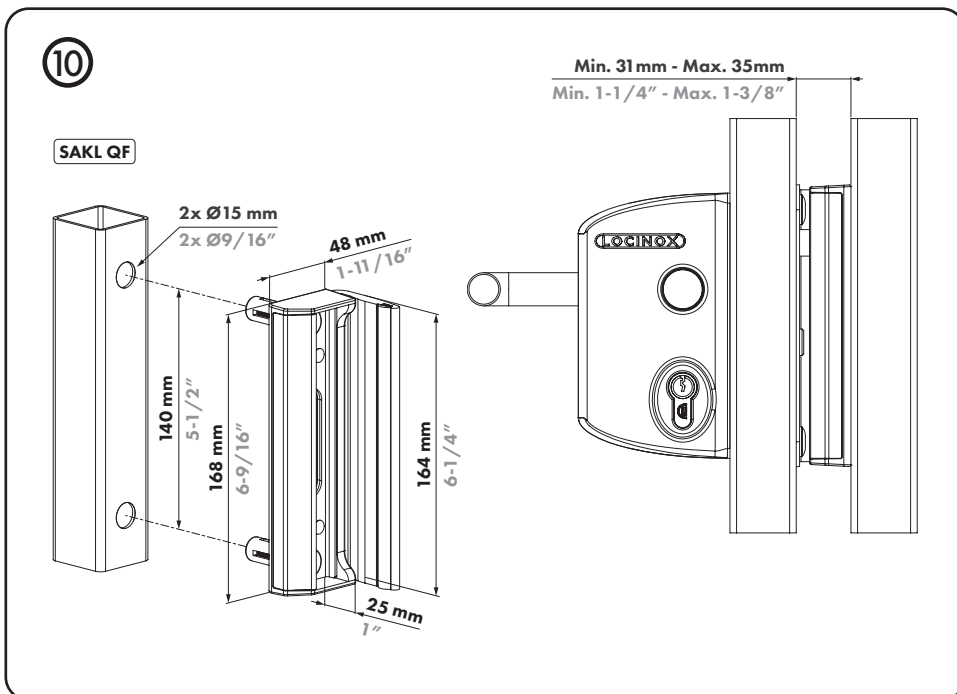
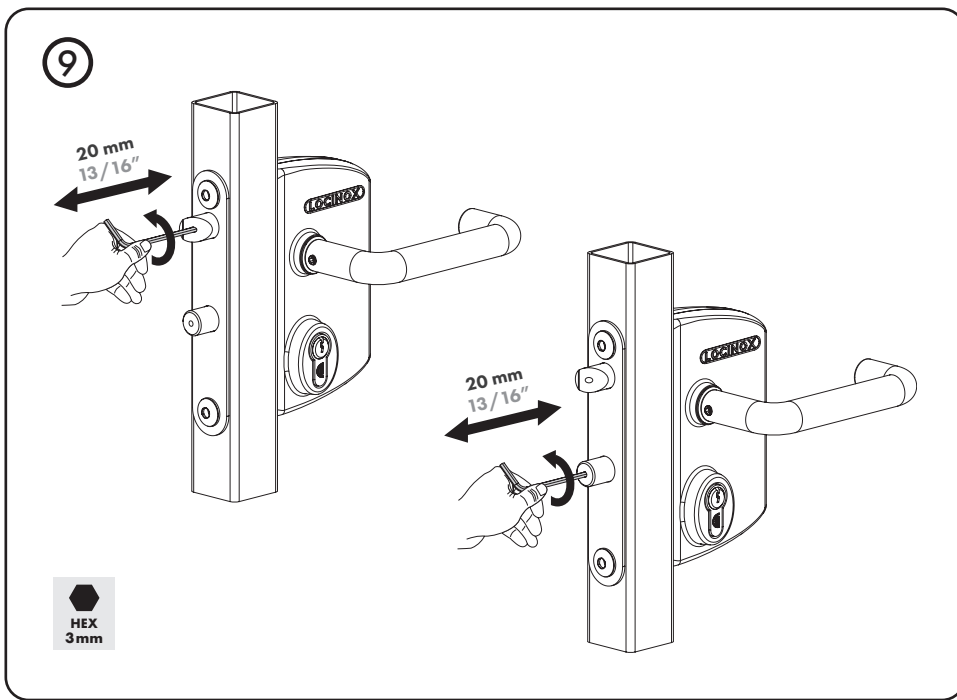


**7**



**8**





<p><a href="mailto:pictures@locinox.com">pictures@locinox.com</a></p>	<p><b>SUCCESSFUL INSTALLATION?</b></p>	<p><b>SUCCESSVOLLE INSTALLATIE?</b></p>	<p><b>INSTALLATION RÉUSSITE?</b></p>
<p><b>ERFOLGREICHE INSTALLATION?</b></p>	<p><b>INSTALACION EXITOSA?</b></p>	<p><b>UDANA INSTALACJA?</b></p>	<p><b>УСПЕШНАЯ УСТАНОВКА?</b></p>
<p>Bitte senden Sie uns Ihre Bilder &amp; Videos</p>	<p>Please send us your pictures &amp; videos</p>	<p>Stuur ons gerust uw foto's &amp; video's door</p>	<p>Veillez nous envoyer vos photos &amp; vidéos</p>
<p>Por favor envíenos sus fotos y videos</p>	<p>Prześlij nam swoje zdjęcia i filmy</p>	<p>Пожалуйста, отправьте нам свои фотографии и видео</p>	<p></p>

**LOCINOX** Let's make it better together

Doc. Nr.: **MANU-000228**

Locinox nv • Mannebeekstraat 21 • 8790 Waregem • Belgium  
Locinox LLC • 460 Windy Point Drive • Glendale Heights - IL 60139 • USA

M A N U - 0 0 0 2 2 8



## ? LOCINOX HQ

LIVE CHAT  
www.locinox.com  
+32 56 77 27 66

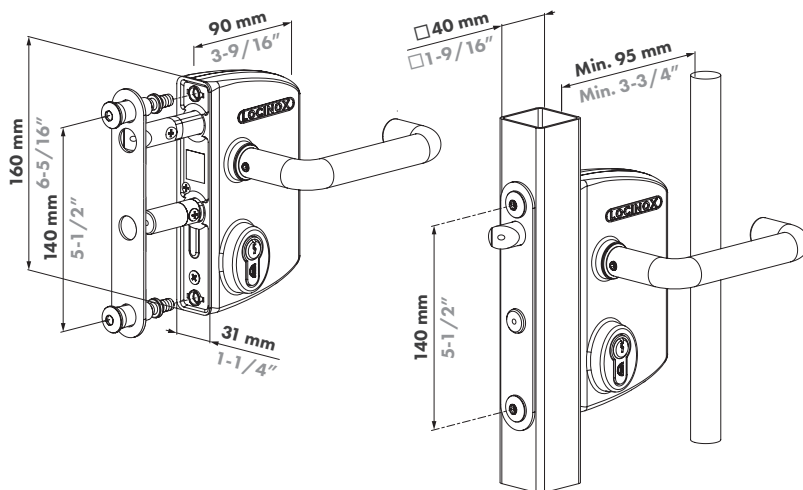
help@locinox.com  
www.locinox.com/lpkqu2

## ? LOCINOX USA

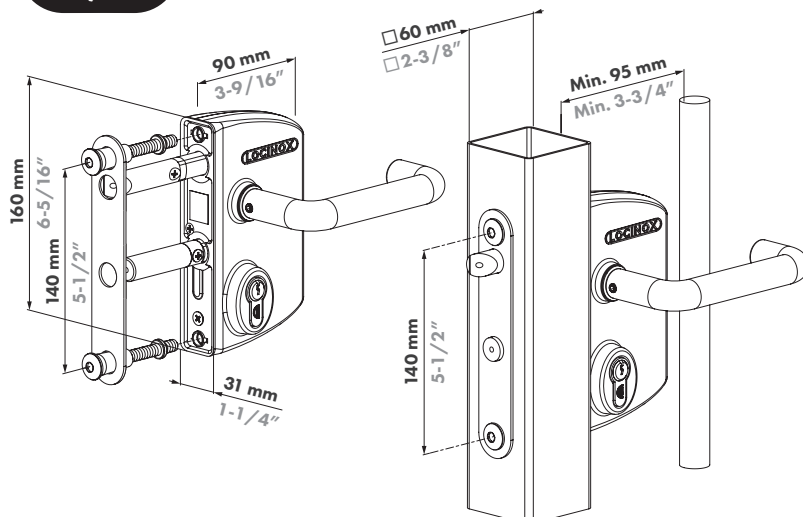
LIVE CHAT  
www.locinoxusa.com  
877-LOCINOX

helpusa@locinox.com  
www.locinoxusa.com/lpkqu2

### 1 40 mm 1-9/16"



### 1 40 mm 1-9/16"



### 2 Dispositivos para salidas de emergencia según la norma EN 179:2008

Se han aprobado las siguientes configuraciones para su instalación en la puerta de salidas de emergencia conforme a EN 179:2008

DIMENSIONES DEL PERFIL DE PUERTA	CERRADURAS
40 mm	LPKQ4040
60 mm	LPKQ6060

CILINDRO	MANILLA	CERRADERO
3012-54-STD	3006A-2	SAKLQF

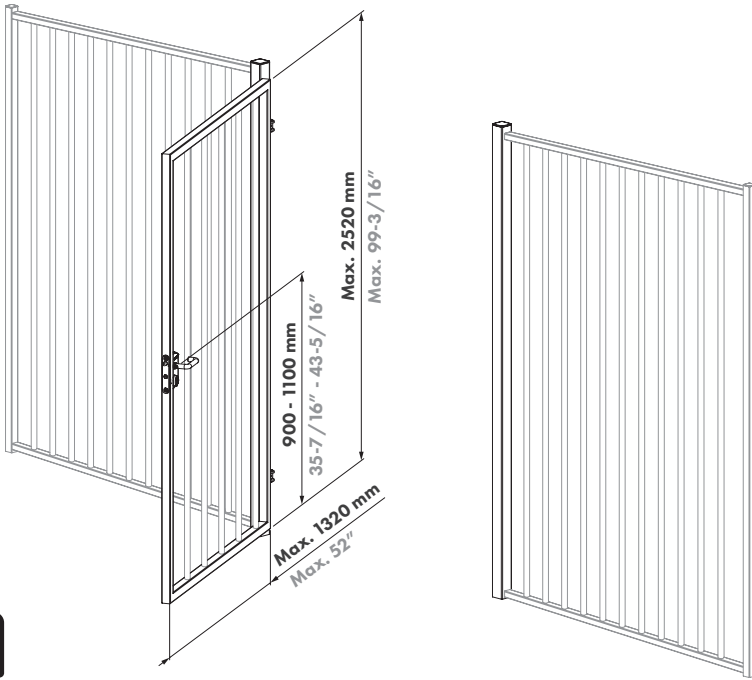
Las características de seguridad de este producto son fundamentales para su conformidad con EN 179:2008. No se permite ningún tipo de modificación salvo las descritas en estas instrucciones.

### 3 Clasificación según EN 179:2008

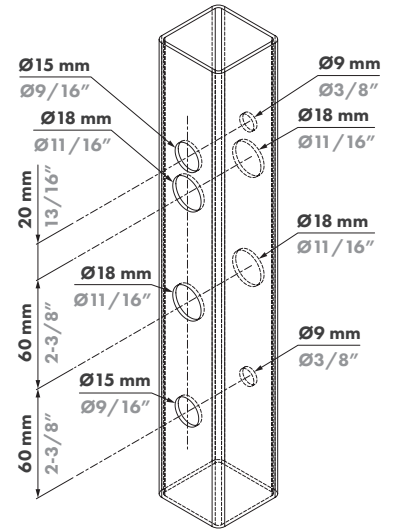
#### 37601422AB

- 3** Categoría de uso: alta frecuencia de uso donde existe poco interés por tener cuidado
- 7** Durabilidad — Grado 7: 200.000 ciclos de prueba
- 6** Masa de la puerta — Grado 6: hasta 200 kg
- 0** Apto para uso en conjunto de puertas antihumo — Grado 0: no homologadas para uso en puertas cortafuego/antihumo
- 1** Seguridad — Grado 1: todos los dispositivos de salidas de emergencia cumplen una función de seguridad crítica; por tanto, se ha determinado únicamente el grado máximo a los efectos de esta norma europea
- 4** Resistencia a la corrosión — Grado 4: resistencia muy alta (240 h)
- 2** seguridad — Grado 2: 1000 N
- 2** Proyección del elemento funcional — Grado 2: hasta 100 mm
- A** Tipo de funcionamiento — Tipo A: dispositivo de salida de emergencia con accionamiento de manilla
- B** Uso previsto — Tipo B: puerta única de apertura hacia fuera

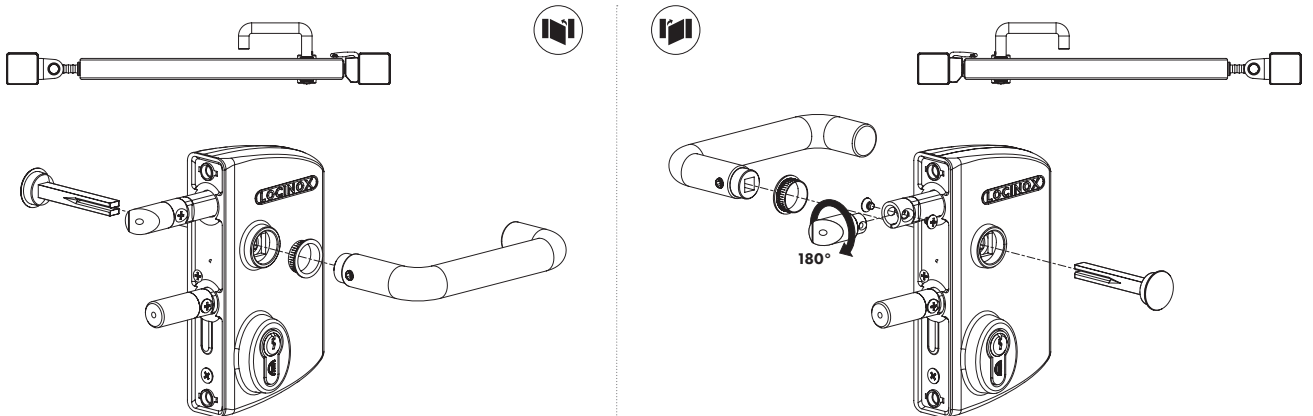
4 Masa y dimensiones de la puerta



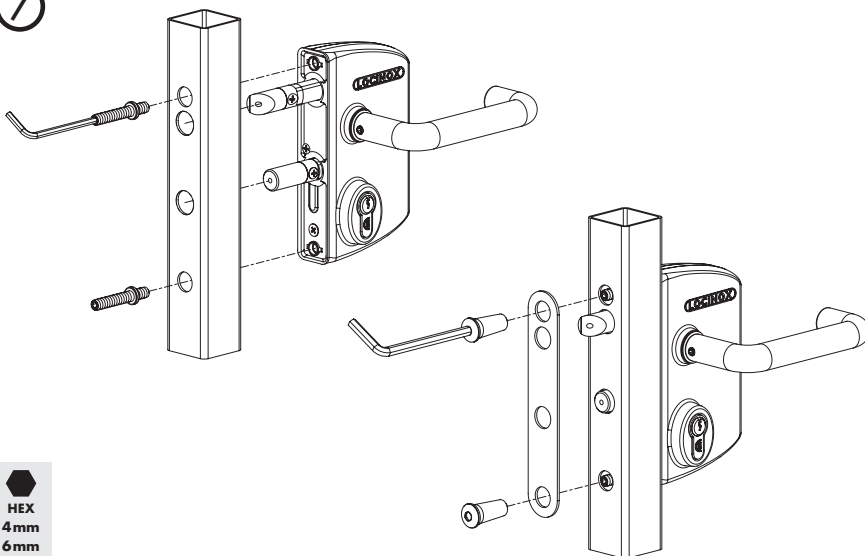
5



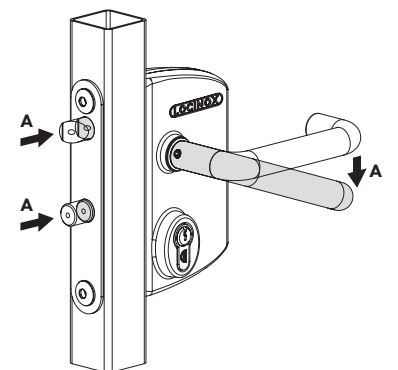
6

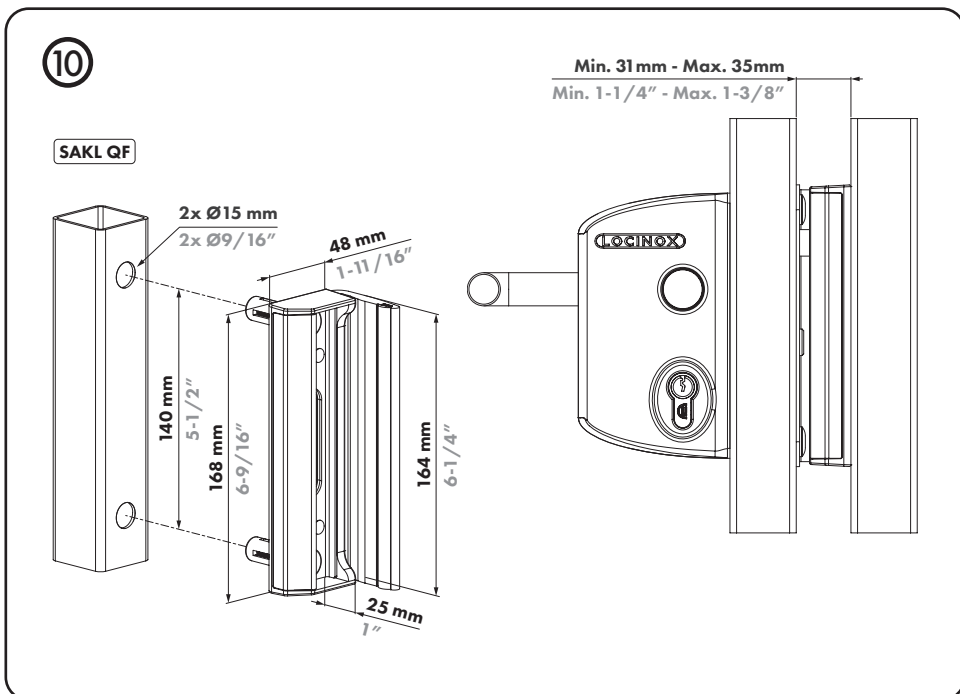
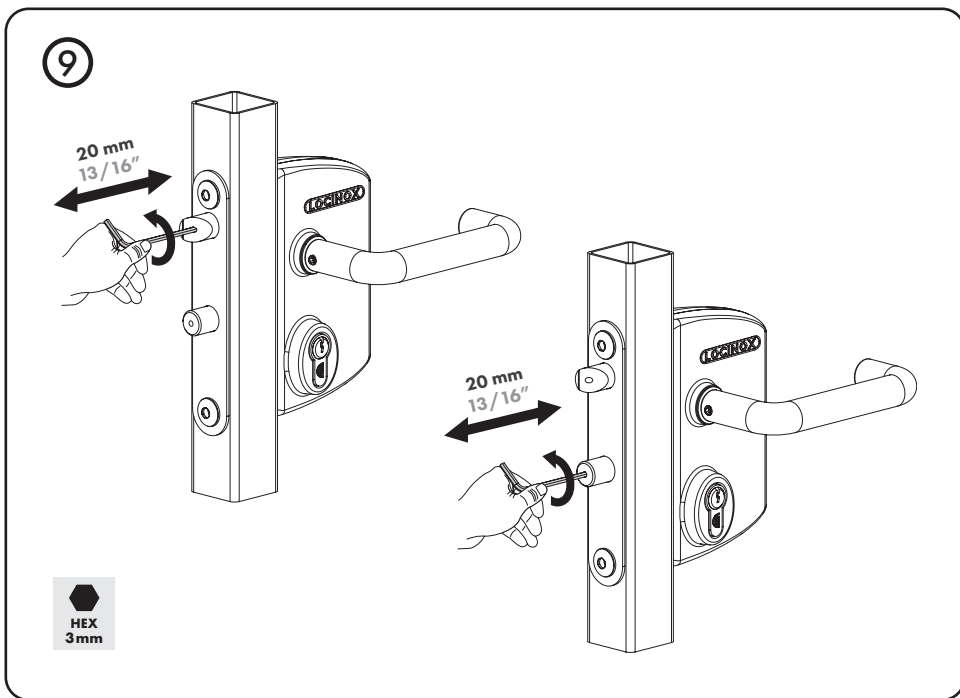


7



8





<p><b>pictures@locinox.com</b></p>	<p><b>SUCCESSFUL INSTALLATION?</b></p>	<p><b>SUCCESSVOLLE INSTALLATIE?</b></p>	<p><b>INSTALLATION RÉUSSITE?</b></p>
<p><b>ERFOLGREICHE INSTALLATION?</b></p>	<p>Please send us your pictures &amp; videos</p>	<p>Stuur ons gerust uw foto's &amp; video's door</p>	<p>Veillez nous envoyer vos photos &amp; vidéos</p>
<p>Bitte senden Sie uns Ihre Bilder &amp; Videos</p>	<p><b>INSTALACION EXITOSA?</b></p>	<p><b>UDANA INSTALACJA?</b></p>	<p><b>УСПЕШНАЯ УСТАНОВКА?</b></p>
<p>Bitte senden Sie uns Ihre Bilder &amp; Videos</p>	<p>Por favor envíenos sus fotos y videos</p>	<p>Prześlij nam swoje zdjęcia i filmy</p>	<p>Пожалуйста, отправьте нам свой фотографии и видео</p>

**LOCINOX** Let's make it better together

Doc. Nr.: **MANU-000228**

Locinox nv • Mannebeekstraat 21 • 8790 Waregem • Belgium  
Locinox LLC • 460 Windy Point Drive • Glendale Heights - IL 60139 • USA

M A N U - 0 0 0 2 2 8

## LOCINOX HQ

LIVE CHAT  
www.locinox.com  
+32 56 77 27 66

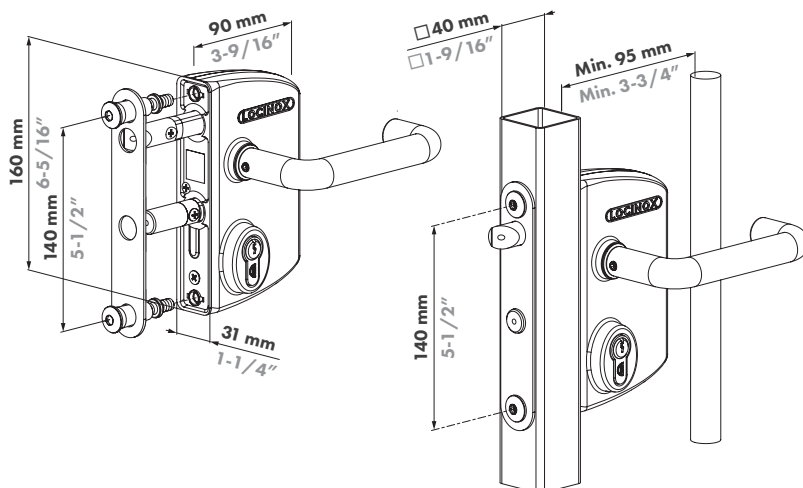
help@locinox.com  
www.locinox.com/lpkqu2

## LOCINOX USA

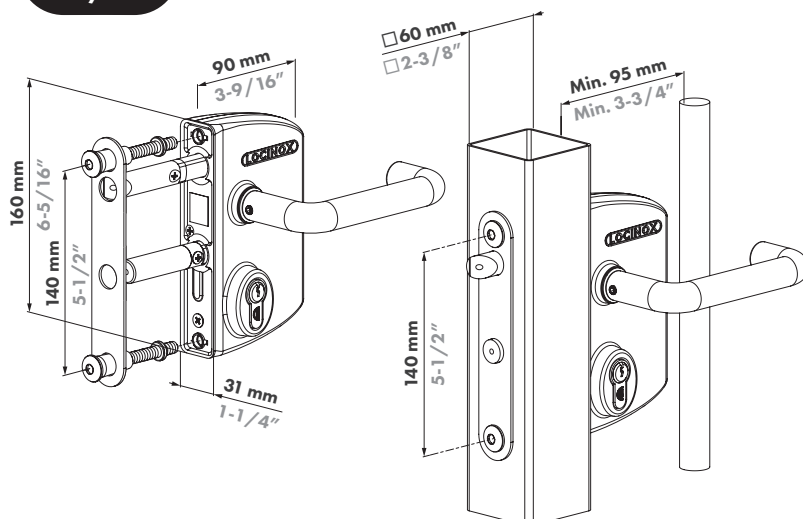
LIVE CHAT  
www.locinoxusa.com  
877-LOCINOX

helpusa@locinox.com  
www.locinoxusa.com/lpkqu2

### 1 40 mm 1-9/16"



### 1 40 mm 1-9/16"



### 2 Urządzenia ewakuacyjne zgodnie z EN 179:2008

Zatwierdzono następujące konfiguracje do zainstalowania w bramce ewakuacyjnej zgodnie z EN 179:2008

WYMIARY PROFILU BRAMKI	ZAMKI
40 mm	LPKQ4040
60 mm	LPKQ6060

CYLINDER	KLAMKA	ZACZEP
3012-54-STD	3006A-2	SAKLQF

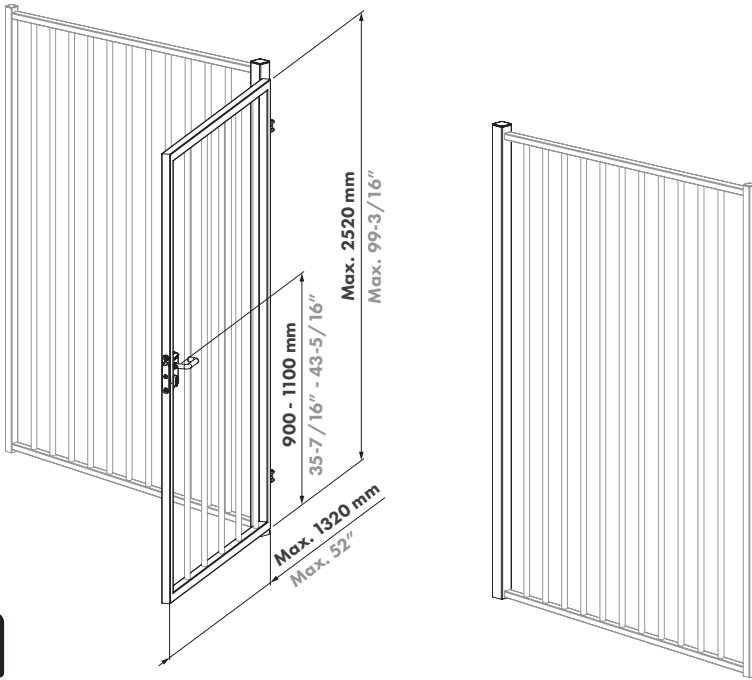
Funkcje bezpieczeństwa tego produktu mają zasadnicze znaczenie dla jego zgodności z normą EN 179:2008. Wszystkie modyfikacje innego rodzaju niż opisane w niniejszej instrukcji są niedozwolone.

### 3 Klasyfikacja zgodnie z EN179:2008

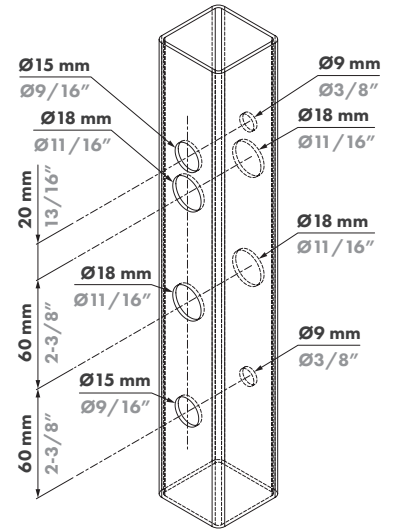
#### 37601422AB

- 3** **Kategoria zastosowania** - Wysoka częstotliwość używania, gdyż zachęta do wykorzystywania jest niewielka
- 7** **Trwałość** - klasa 7: 200 000 cykli testowych
- 6** **Masa drzwi** - klasa 6: do 200 kg
- 0** **Nadaje się do stosowania w drzwiach przeciwpożarowych** - Klasa 0: niedopuszczony do stosowania w drzwiach przeciwpożarowych/dymnych
- 1** **Bezpieczeństwo** - klasa 1: wszystkie urządzenia wyjścia awaryjnego mają krytyczną funkcję bezpieczeństwa, dlatego dla celów niniejszej Normy Europejskiej zidentyfikowano tylko najwyższy stopień Europejskich standardów
- 4** **Odporność na korozję** - klasa 4: bardzo wysoka odporność (240 h)
- 2** **Bezpieczeństwo** - klasa obciążalności 2: 1000 N
- 2** **Skok elementu roboczego** - klasa 2: do 100 mm
- A** **Rodzaj operacji** - Typ A: urządzenie wyjścia awaryjnego z obsługą poprzez klamkę
- B** **Zastosowanie zgodne z przeznaczeniem** - Typ B: pojedyncze drzwi otwierane na zewnątrz

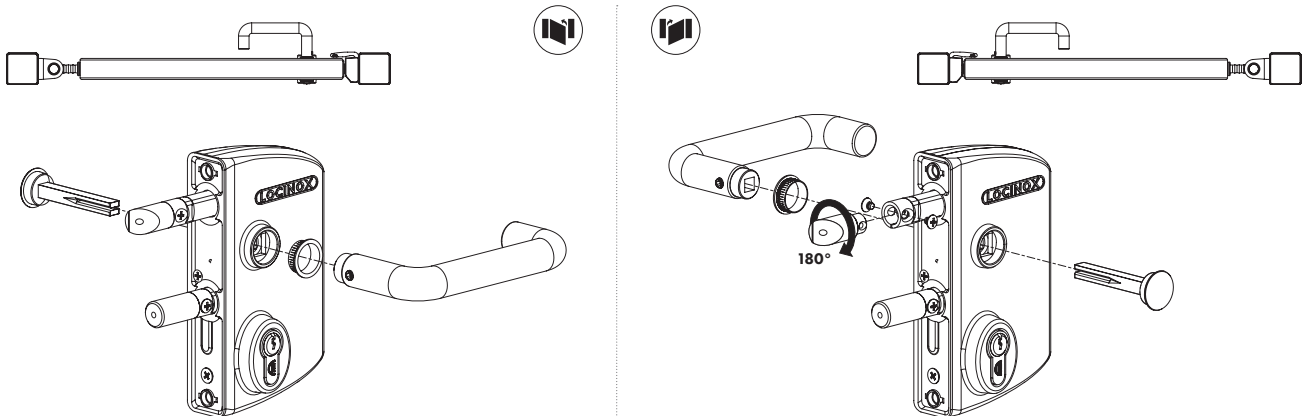
4 Masa drzwi i wymiary drzwi



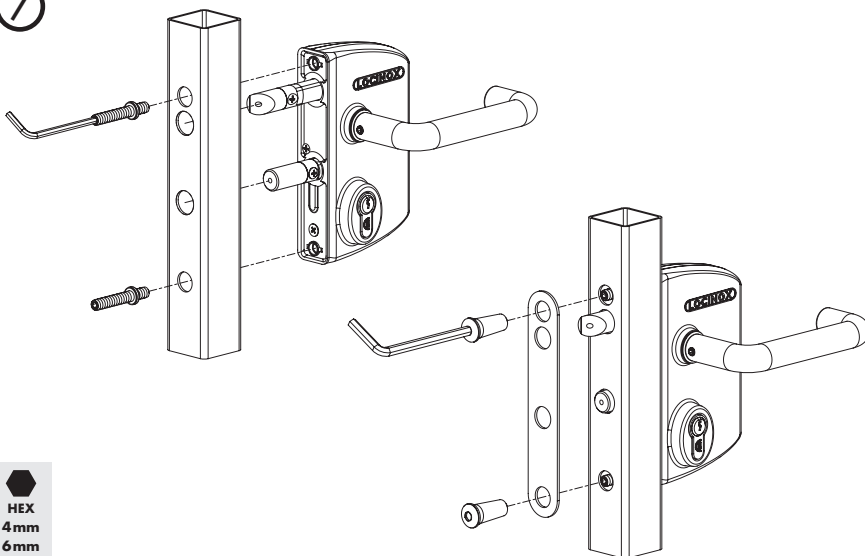
5



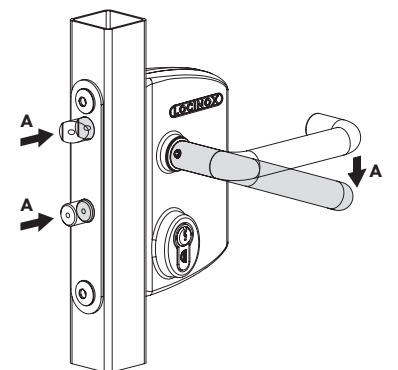
6

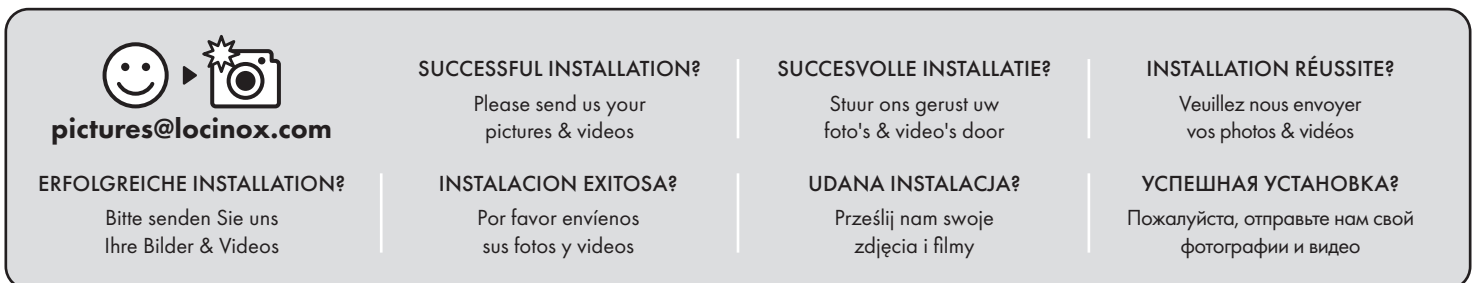
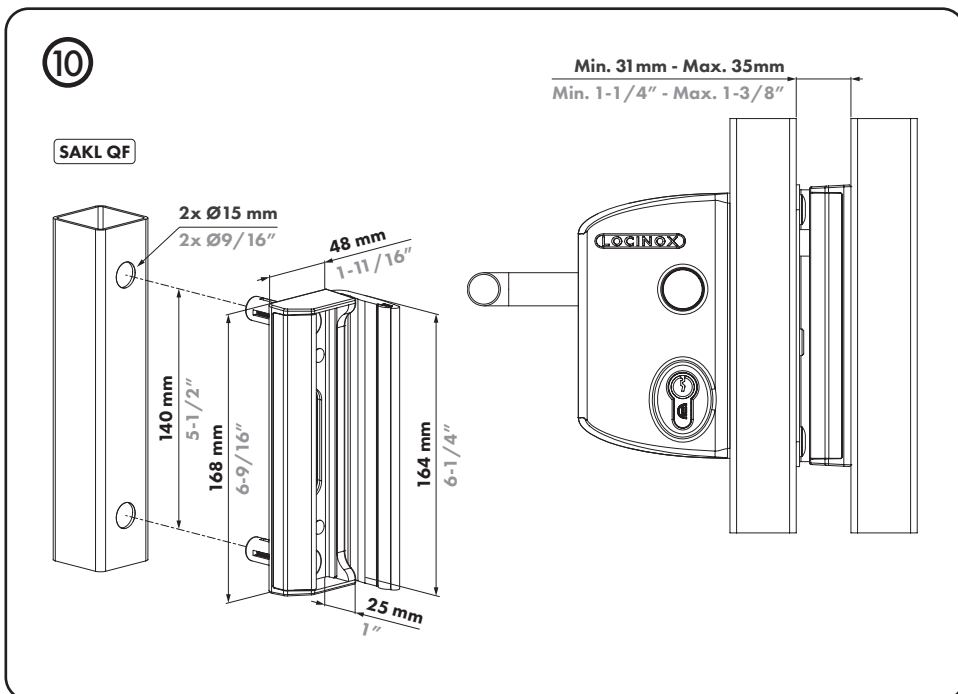
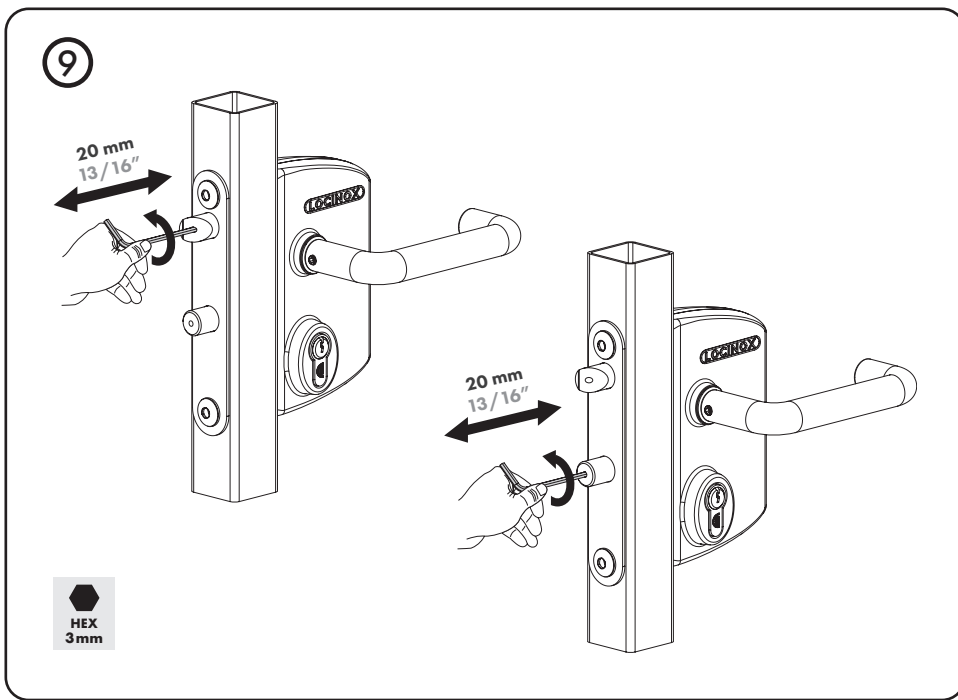


7



8





## ? LOCINOX HQ

  
LIVE CHAT  
www.locinox.com  
  
+32 56 77 27 66

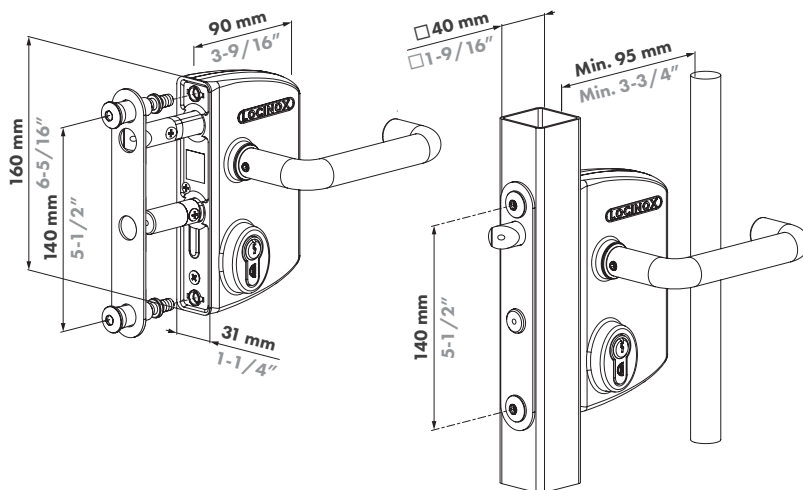
  
help@locinox.com  
  
www.locinox.com/lpkqu2

## ? LOCINOX USA

  
LIVE CHAT  
www.locinoxusa.com  
  
877-LOCINOX

  
helpusa@locinox.com  
  
www.locinoxusa.com/lpkqu2

### 1 40 mm 1-9/16"



### 2 Устройства для аварийного выхода согласно требованиям EN 179:2008

Следующие конфигурации одобрены для установки на калитках и воротах аварийного выхода в соответствии с требованиями EN 179:2008

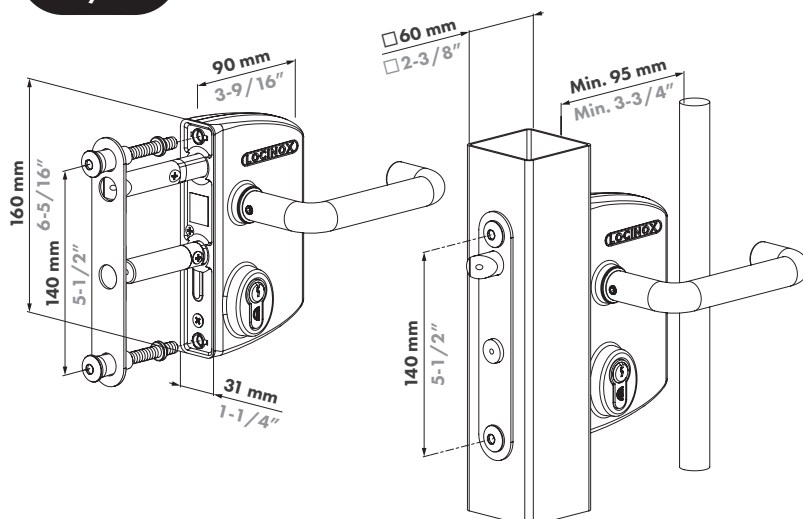
РАЗМЕРЫ КАЛИТОЧНОГО ПРОФИЛЯ	ЗАМКИ
40 mm	LPKQ4040
60 mm	LPKQ6060

ЛИЧИНКА	РУЧКА	ОТВЕТНАЯ ПЛАНКА
3012-54-STD	3006A-2	SAKIQF

Для соответствия требованиям EN 179:2008, очень важны функции безопасности этого изделия

### 1 40 mm 1-9/16"

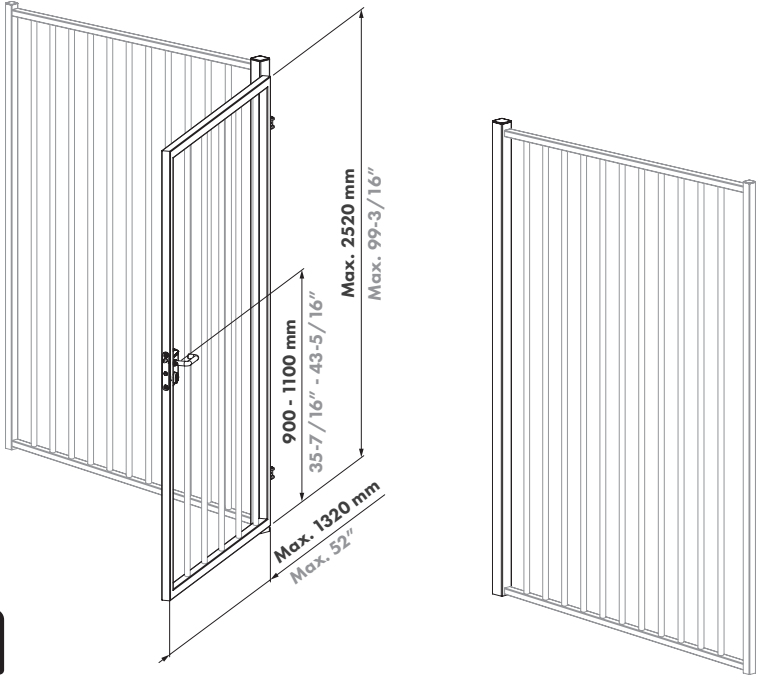


### 3 Классификация согласно EN179:2008

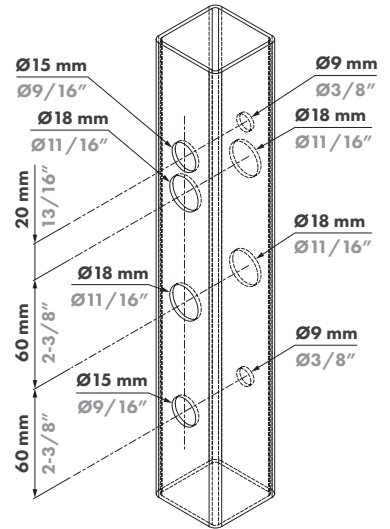
#### 37601422AB

- 3** Категория использования – Частое использования в местах с низким уровнем проявления осторожности
- 7** Срок службы – Степень 7: 200 000 циклов испытаний
- 6** Вес двери – Степень 6: до 200 кг.
- 0** Пригодность для использования в качестве составляющих противоподымных дверей – Степень 0: не одобрено для использования на противопожарных / противоподымных дверях
- 1** Безопасность – Степень 1: все устройства аварийного выхода имеют критическую функцию безопасности, поэтому с целью соответствия данного Европейского Стандарта устанавливается только наивысшая степень
- 4** Коррозионная стойкость – Степень 4: очень высокий уровень стойкости (240 часов)
- 2** Защищенность – Степень 2: 1000 Н
- 2** Защита открывающего элемента – Степень 2: до 100 мм.
- A** Тип функционирования – Тип A: устройство аварийного выхода с активной ручкой
- B** Использование по назначению – Тип B: одностворчатая дверь с открыванием наружу

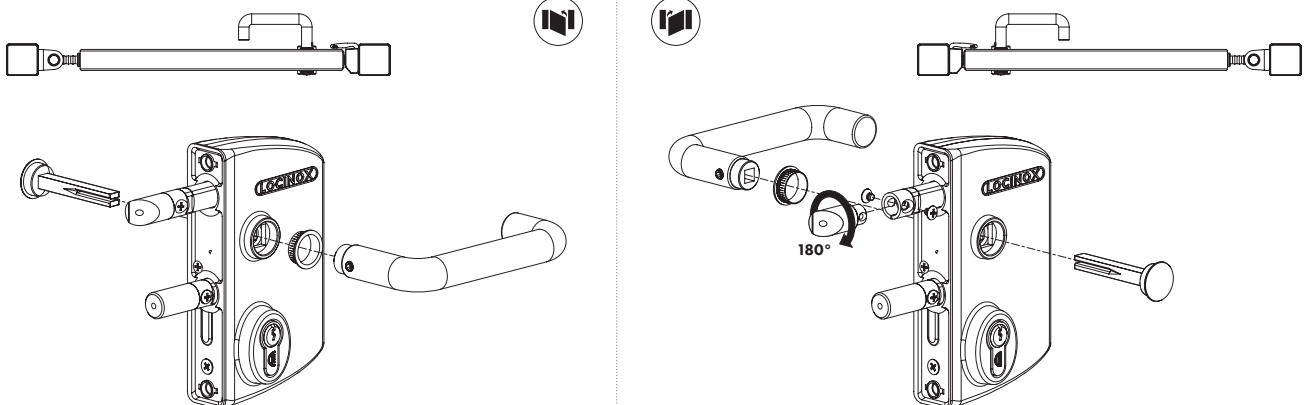
4 Вес и размер двери



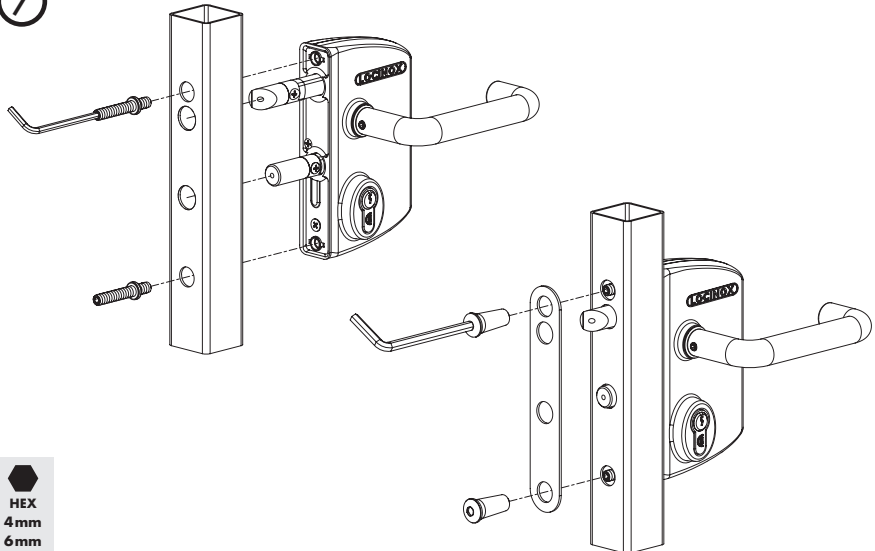
5



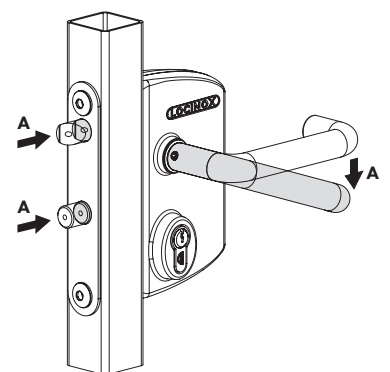
6



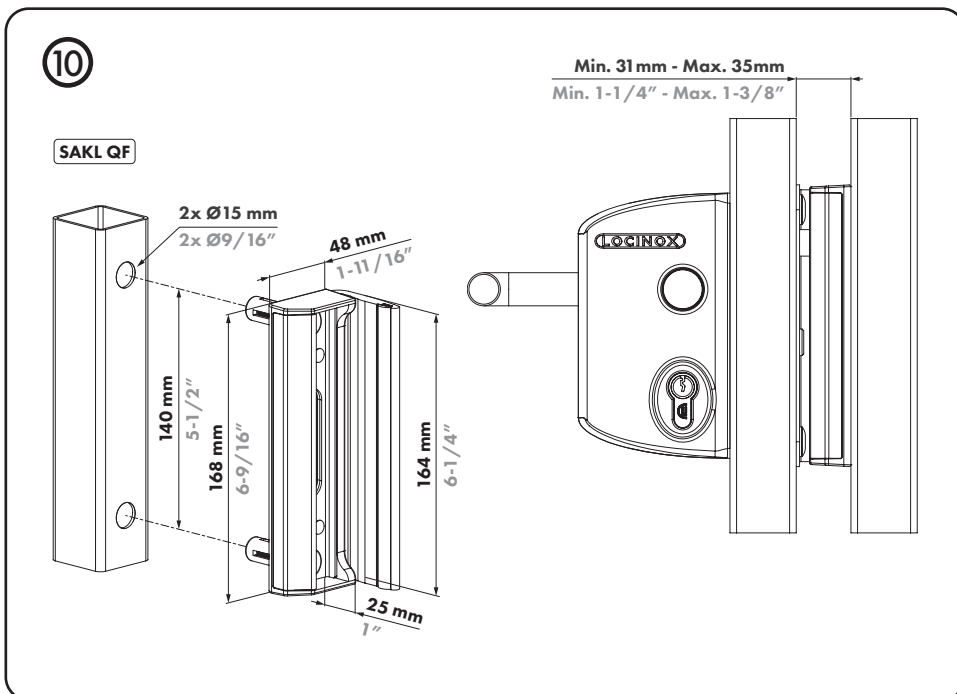
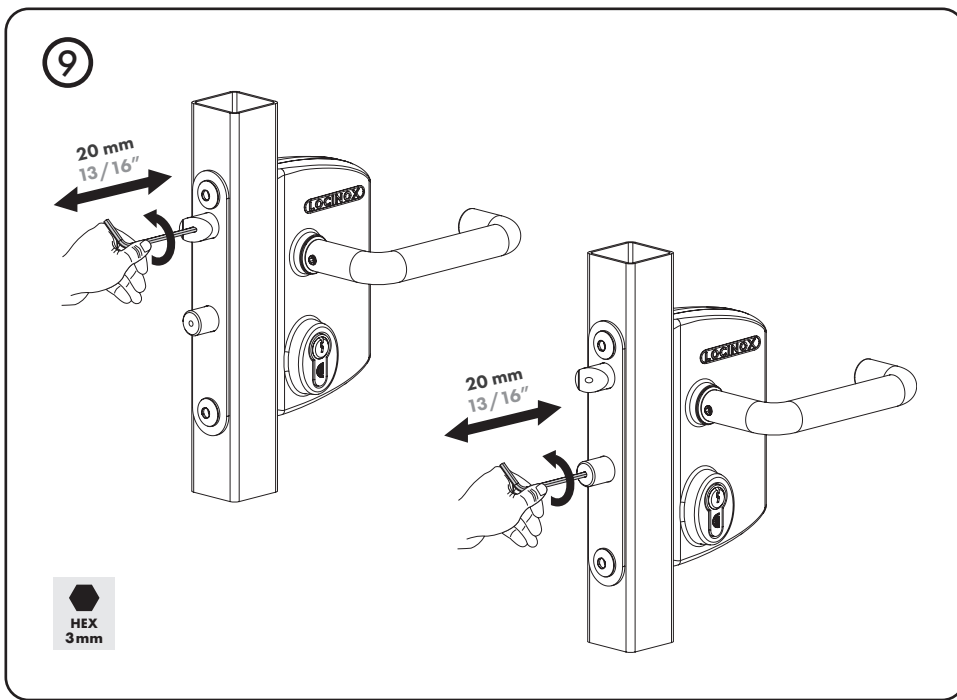
7



8







<p><a href="mailto:pictures@locinox.com">pictures@locinox.com</a></p>	<p>SUCCESSFUL INSTALLATION?</p>	<p>SUCCESSVOLLE INSTALLATIE?</p>	<p>INSTALLATION RÉUSSITE?</p>
<p>ERFOLGREICHE INSTALLATION?</p>	<p>Please send us your pictures &amp; videos</p>	<p>Stuur ons gerust uw foto's &amp; video's door</p>	<p>Veillez nous envoyer vos photos &amp; vidéos</p>
<p>Bitte senden Sie uns Ihre Bilder &amp; Videos</p>	<p>INSTALACION EXITOSA?</p>	<p>UDANA INSTALACJA?</p>	<p>УСПЕШНАЯ УСТАНОВКА?</p>
<p>Por favor envíenos sus fotos y videos</p>	<p>Prześlij nam swoje zdjęcia i filmy</p>	<p>Пожалуйста, отправьте нам свои фотографии и видео</p>	

**LOCINOX** Let's make it better together

Doc. Nr.: MANU-000228

Locinox nv • Mannebeekstraat 21 • 8790 Waregem • Belgium  
Locinox LLC • 460 Windy Point Drive • Glendale Heights - IL 60139 • USA

M A N U - 0 0 0 2 2 8